



# Constant Current & Constant Voltage LED Power Supply

SLT6-350IL-4  
SLT6-500IL-4  
SLT6-700IL-4



## Product description:

This series was designed for compromise between an attractive price and high performance, which meets SELV standard of preventing electric shock. Protection of open circuit, short circuit, over load and over temperature increased safety in processing. Low standby power consumption complies with ERP directives. Optimized electric circuit design brings cost-effectiveness.



## Standards:

EN61347-1	UL8750 pending
EN61347-2-13	UL1310 pending
EN61547	
EN55015	
EN61000-3-2	
EN61000-3-3	
EN62384	

## Characteristics:

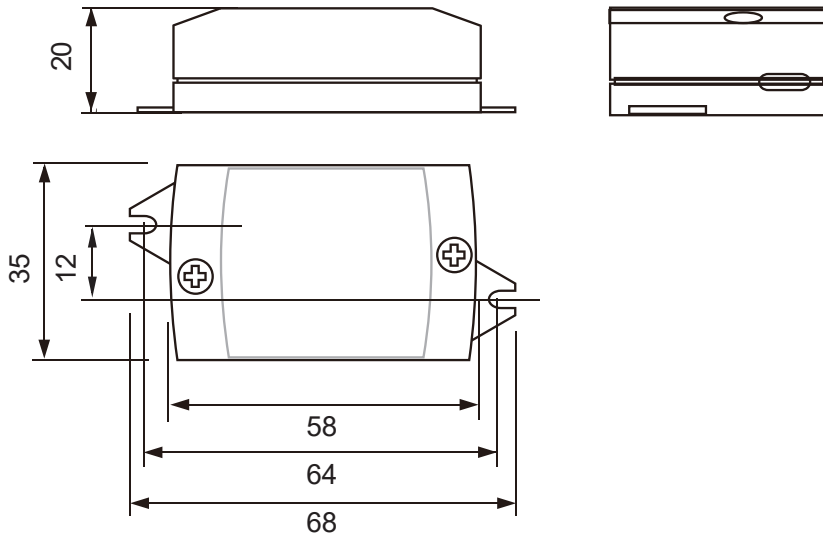
- Universal input voltage(100-240Vac)
- Compact dimensions
- Independent use design
- Compatible with constant current and constant voltage function(350mA, 500mA and 700mA model)
- SELV output(<60V)
- Class 2 output
- Low output ripple current  $\leq \pm 15\%$
- Fast start-up time  $\leq 0.5s$
- No load power consumption  $\leq 0.5W$
- Open circuit ,short circuit ,over load and over temperature protection
- Auto restart after fault conditions removal
- Low voltage ripple current 3%
- ECO design, comply with ERP directives



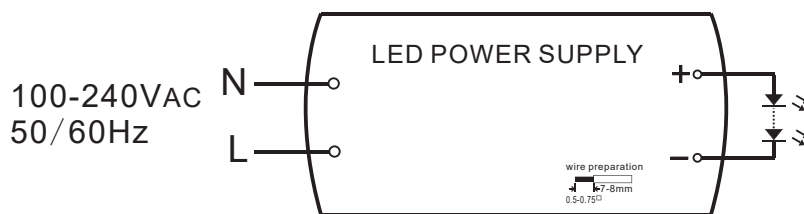
## Specifications:

Model		SLT6-350IL-4	SLT6-500IL-4	SLT6-700IL-4	
Output	turn on time(S)	≤0.5	≤0.5	≤0.5	
	output current(mA)	350	500	700	
	CC	output current tolerance <sup>①</sup>	+/-5%	+/-5%	+/-5%
		ripple current(mA)(%)	≤3%	≤3%	≤3%
		working voltage range(V)	3-22	3-12	3-9
		Max. output voltage(V)	25	14	13
	CV	output vorage (V)	24	n/a	12
		output voltage tolerance <sup>①</sup>	+/-5%	+/-5%	+/-5%
		ripple voltage(mV)	n/a	n/a	n/a
		working current range(A)	0-0.25	n/a	0-0.5
dimming interface		No			
dimming range		n/a			
Input	rated supply voltage(Vac)	100-240	100-240	100-240	
	voltage range(Vac)	90-264	90-264	90-264	
	line frequency(Hz)	50/60	50/60	50/60	
	input current(mA)	0.065@220-240V/0.1@100-120V	0.065@220-240V/0.1@100-120V	0.045@220-240V/0.085@100-120V	
	efficiency <sup>②</sup>	≥76%@230V	≥75%@230V	≥73%@230V	
	power factor <sup>②</sup>	≥0.70c @full load	≥0.70c @full load	≥0.80C@full load	
	inrush current(lpk)	25A/80us	25A/80us	25A/80us	
Protection	over voltage protection	YES	YES	YES	
	short circuit protection	YES	YES	YES	
	over temperature protection	YES	YES	YES	
	automatic restart	YES	YES	YES	
	over load protection	YES	YES	YES	
	surge capacity	L-N: 500V	L-N: 500V	L-N: 500V	
Ambient and Life	Ta(°C)	-20...+50			
	Tc max.(°C)		90	85	
	Storage Temperature(°C)	-30...80			
	ambient humidity range	5%...85%RH, Not condensing			
	nominal life-time(hrs)	50000@Tc=90°C			
Other	weight(g)	37.5 pending			
	dimensions (LxWxH)(mm)	68x35x20			
	casing material	Plastic			
	housing colour	White			
	type of protection	IP20			
	protection class	CLASS II			
Note	<p>1. Tolerance:includes set up tolerance, line regulation and load regulation.                  2. Tested at full load,230Vac.Refer to"Power Factor" and "EFFICIENT"curve graphs.                  3. All parameters NOT specially mentioned are measured at nominal voltage input, rated load and 25 of ambient temperature.                  4. The power supply is considered as a component that will be operated in combination with final equipment. Since EMC performance will be affected by the complete installation, the final equipment manufacturers must re-qualify EMC Directive on the complete installation again.</p>				

## Dimensions(mm/inches):



## Wiring diagram:



- 1.Tolerance : includes set up tolerance, line regulation and load regulation.
- 2.Tested at 100Vac input.
- 3.Tested at full load.Refer to"Power Factor" and "EFFICIENT"curve graphs.
- 4.All parameters NOT specially mentioned are measured at nominal voltage input, rated load and 25 of ambient temperature.
- 5.The power supply is considered as a component that will be operated in combination with final equipment. Since EMC performance will be affected by the complete installation, the final equipment manufacturers must re-qualify EMC Directive on the complete installation again."



### MCBS information:

Miniature circuit breaker Model	B10	B13	B16	B20	C10	C13	C16	C20
SLT6-350IL-4	45	60	75	94	78	94	128	157
SLT6-500IL-4	45	60	75	94	78	94	128	157
SLT6-700IL-4	45	60	75	94	78	94	128	157

### Order information:

Model Carton	quantity(pcs)	Carton dimension(mm)	G.W./CTN(kg)
SLT6-350IL-4	200	425x315x175	9
SLT6-500IL-4	200	425x315x175	9
SLT6-700IL-4	200	425x315x175	9.5

\*Due to continuous improvements and innovations, specifications are subjected to change without notice.