



5W USB Interchangeable Plug Adapter



Features

- USB Socket
- Field Changeable AC Plugs – sold separately
- US DoE Level VI Efficiency Compliance
- Ecodesign/ErP Lot 7 (EU) 2019/1782 Compliance
- AS/NZS 4665.1-2005+A1:2009, AS/NZS 4665.2-2005+A1:2009 Compliance
- Low Leakage Current
- UL 94 V0 Flammability
- ROHS Compliance

Applications

- Wireless Communications
 - Portable Equipment
 - Peripherals
 - Networking
-

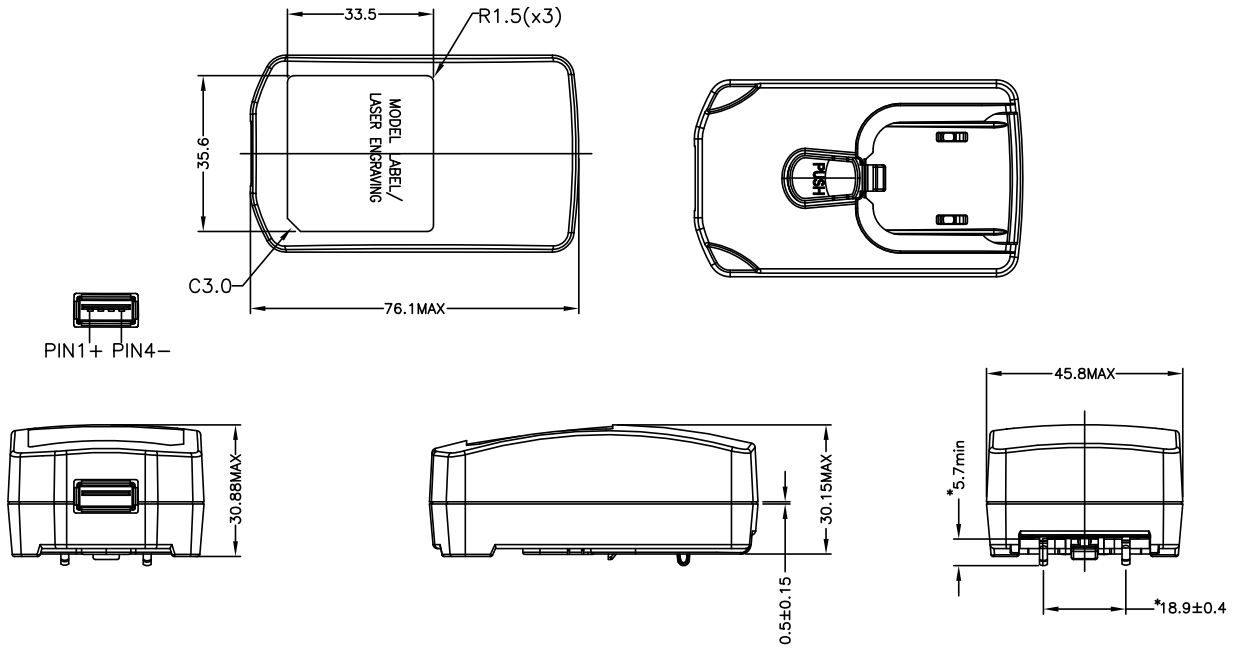


PSAI05R-050QL6-R Specifications¹

Model		PSAI05R-050QL6-R
Output	DC Output Voltage	5.0V
	Max Current	1.0A
	Output Power	5.0W
	Regulation	± 5%
	Ripple & Noise P-P(max) ²	200mV
Input	AC Input Voltage Range	90 to 264VAC
	AC Input Frequency	47 to 63Hz
	Input Current	0.3A (RMS) max for 115Vac/max load 0.15A (RMS) max for 230Vac/max load
	Inrush Current	45A max., 240VAC
	No Load Power Consumption at 115VAC Input	0.0221W
	No Load Power Consumption at 230VAC Input	0.0288W
	115VAC Average Efficiency ³	75.28%
	230VAC Average Efficiency ³	73.80%
	230VAC 10% Load Efficiency ³	66.48%
	Leakage Current	0.02mA max for 240VAC, 50Hz
Protection	Over-Voltage	7.2V max
	Short Circuit	The output can be shorted permanently without damage. Output current not exceed 950mA(RMS).
	Over-Current	5A max
Environmental	Operating Temperature	0°C to +50°C
	Non-Operating Temperature	-40° to +85°C
	Operating Humidity	90% RH max
Safety Approvals and EMC	Dielectric Withstand (HI-POT)	Primary to Secondary: 3000VAC for 1min, 10mA
	Insulation Resistance	Primary to Secondary: >7M ohm for 500VDC
	Standards	cULus 62368-1, IEC 62368-1, AS/NZ 60950.1:2011+A1
	EMI Emissions	FCC Part 15 Class B, CAN ICES-003(B)/NMB-003(B), EN 55032/CISPR 32 Class B Conducted and Radiated
	Harmonic Current Emissions	IEC 61000-3-2
	Voltage Fluctuations & Flicker	IEC 61000-3-3
	Immunity	EN 55024/CISPR 24: IEC 61000-4-2 (+/- 8kV air, +/-4kV contact), IEC 61000-4-3, IEC 61000-4-4, IEC 61000-4-5 (+/- 1kV), IEC 61000-4-6, IEC 61000-4-8, IEC 61000-4-11
Mechanical	Dimensions (L x W x H)	76.1mm (3.00in) x 45.8mm (1.80in) x 30.88mm (1.22in)
	DC Output Connector	USB Type A
Notes	<ol style="list-style-type: none"> The specifications defined are at ambient temperature of 25°C, unless otherwise specified. 20MHz bandwidth frequency oscilloscope, add a 0.1µF multilayer Cap. and Low ESR Electrolytic Cap. (10µF) at output connector terminals (nominal line voltage, full load). Efficiency is measured after 30 minutes burn-in. 	



PSAI05R-050QL6-R Outline Drawing






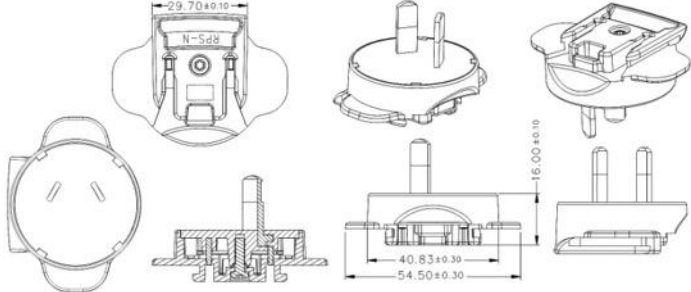
AC Input Clips – Sold Separately

Model	Photo	Description	Outline Drawing - mm
RPA-AB01B-H		US Clip	
RPB-AB01B-H		Brazil Clip	
RPC-AB01B-H		China Clip	
RPE-AB01B-H		Europe Clip	



Model	Photo	Description	Outline Drawing - mm
RPH-AB01B-H		Korea Clip	
RPI-AB01B-H		India Clip	
RPK-AB01B-H		UK Clip	
RPN-AB01B-H		Argentina Clip	



Model	Photo	Description	Outline Drawing - mm
RPS-AB01B-H		Australia Clip	
RPBAG-AB01B-H	<p>Product package comes with RPA-AB01B-H, RPE-AB01B-H, RPK-AB01B-H and RPS-AB01B- in a plastic bag.</p> 