

**6 W
 AC/DC
 USB
 ADAPTER**

6 Watt Value Power

HNP06I-USBL6 Steckernetzteil-Serie



HNP-POWER

Besondere Merkmale Features

| | |
|--------------------------------------|-------------------------------------|
| Steckerschaltnetzteil | Plug in switching adaptor |
| Mit 4 Eingangsklips (EU,US,UK,AU) | Incl. 4 input clips (EU,US,UK,AU) |
| Doppelte Isolation | Double insulated |
| Kompakter Aufbau | Small low profile package |
| Überlast- und kurzschlußfest | Overload, short circuit protection |
| Minimalster Leerlaufverlust | Lowest standby power consumption |
| EU CoC V5 tier 2 / EnergyStar DOE VI | EU CoC V5 tier 2/ EnergyStar DOE VI |

Anwendung Application

| | |
|-------------------------|-------------------------|
| Einplatinencomputer | Single board computers |
| Drahtlose Kommunikation | Wireless communications |
| Peripheriegeräte | Peripherals |
| Netzwerktechnik | Networking |
| Mobile Ausrüstungen | Portable equipment |
| Tablets / Smartphones | Tablets / Smartphones |
| Telekommunikation | Telecom |

Technische Daten Specification

(bei 25°C Umgebungstemperatur) at 25 °C ambient temperature

Eingangsdaten Input Specifications

| | | |
|-------------------------|------------------------------|-------------------|
| Eingangsspannung | Input voltages | 90...264 VAC |
| Eingangsfrequenz | Input frequency | 47...63 Hz |
| Eingangsstrom | Input current | 450mA(rms) @90VAC |
| Netzausfallüberbrückung | Hold-up time, nom.conditions | 20ms @230VAC |
| Einschaltstromstoß | Inrush current | <30A/230VAC |
| Leerlaufverlust | No load power consumption | < 0.075 Watt |

Ausgangsdaten Output Specifications

| | | |
|------------------|-------------------|------------------------|
| Leistung | Power | 7,5 Watt |
| Wirkungsgrad | Efficiency | DOE VI / CoC V5 tier 2 |
| Ausregelzeit ±2% | Recovery time ±2% | max. 1 ms |
| Restwelligkeit | Ripple and noise | max. 100mV pp |

Allgemeine Daten General Specifications

| | | |
|------------------------|------------------------------|---|
| Betriebstemperatur | Operating temperature | -10°C...+40°C |
| Lagertemperatur | Storage temperature | -20°C...+70°C |
| Luftfeuchte | Humidity | 10...90% RH |
| Isolation | Dielectric Withstand (Hipot) | 3000VAC 1min 5mA inp.<->outp. |
| Leckstrom | Leakage current | 0.25mA max.@240 VAC |
| Überstromschutz | Overcurrent protection | continuous, auto restart |
| Überspannungsschutz | Overvoltage protection | typ. 120% |
| Zulassungsbestimmungen | Safety requirements | TÜV/GS EN62368-1:2014+A11:2017 ETL UL 62368-1:2014 Ed.2; UKCA (see DoC) EN55032:2015; EN55035:2017 EN61000-3-2:2019;EN61000-3-3:2013+A1:2019 |
| EMV | EMC | |
| RoHS | RoHS | 2015/863/EU |



6 Watt Value Power

HNP06I-USBL6 Steckernetzteil-Serie

6 W AC/DC USB ADAPTER

Bestell-Information / Order Information

| Modell | Ausgang Output | Last/Load | |
|--------------|-------------------|-----------|-------|
| | | Min. | Max. |
| HNP06I-USBL6 | 5 V | 0.0 A | 1.5 A |

MEMO:

Vermerk

Andere Versionen (Spannungen / Stecker / Farben) mit Mindestbestellmengen auf Anfrage

Note

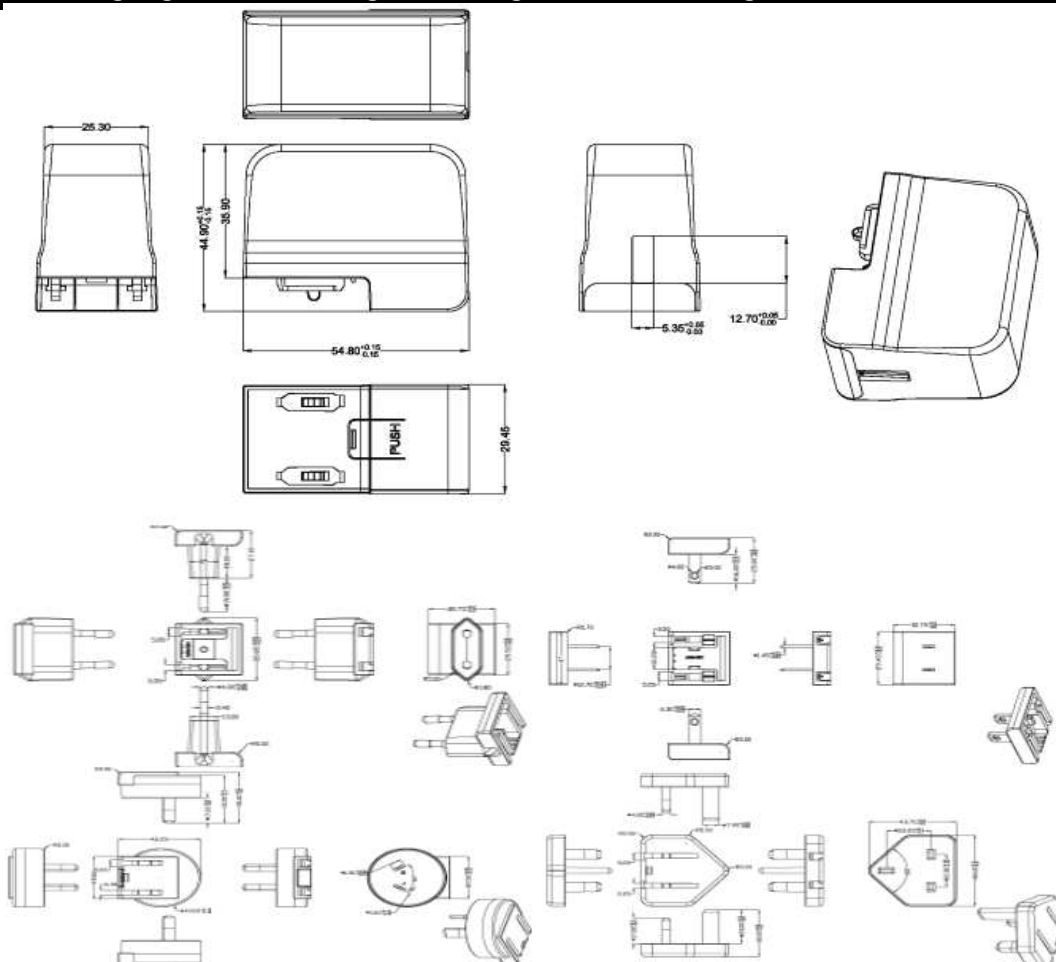
Other versions (Voltages / Connectors / Colors) with minimum order quantities on request

Mechanik

Mechanical

| | | |
|---------|--------|-----------------|
| L×B×H | L×W×H | 56 × 27 × 73 mm |
| Gewicht | Weight | 40 g (body) |
| Ausgang | Output | 1x USB Socket A |

PIN-Belegung und Zeichnung / Pin Assignments & Drawing





Energieeffizienz / Efficiency (EU) 2019/1782

| Model | Input Voltage/Frequency | Output Voltage(V) | Output Current(A) | Power for label | Average efficiency | Efficiency at 10% load | No load power consumption (Watt) |
|---------------------|-------------------------|-------------------|-------------------|-----------------|--------------------|------------------------|----------------------------------|
| HNP06-USBL6 | 230Vac / 50Hz | 5.0 | 1.50 | 7.5W | 77.46% | 78.85% | 0.07W |
| HNP06-050L6 | 230Vac / 50Hz | 5.0 | 1.50 | 7.5W | 77.46% | 78.85% | 0.07W |
| HNP06-051-MiniUSBL6 | 230Vac / 50Hz | 5.1 | 1.47 | 7.5W | 78.55% | 74.27% | 0.10W |
| HNP06-060L6 | 230Vac / 50Hz | 6.0 | 1.25 | 7.5W | 78.13% | 78.13% | 0.05W |
| HNP06-090L6 | 230Vac / 50Hz | 9.0 | 0.83 | 7.5W | 81.45% | 77.22% | 0.06W |
| HNP06-120L6 | 230Vac / 50Hz | 12.0 | 0.62 | 7.5W | 80.71% | 77.66% | 0.09W |
| HNP06-MICROUSBL6 | 230Vac / 50Hz | 5.0 | 1.50 | 7.5W | 77.46% | 78.85% | 0.07W |
| HNP06-MINIUSBL6 | 230Vac / 50Hz | 5.0 | 1.50 | 7.5W | 77.46% | 78.85% | 0.07W |
| HNP06I-USBL6 | 230Vac / 50Hz | 5.0 | 1.50 | 7.5W | 77.13% | 78.15% | 0.08W |
| HNP06I-050L6 | 230Vac / 50Hz | 5.0 | 1.50 | 7.5W | 77.13% | 78.15% | 0.08W |
| HNP06I-090L6 | 230Vac / 50Hz | 9.0 | 0.83 | 7.5W | 80.18% | 76.48% | 0.07W |
| HNP06I-120L6 | 230Vac / 50Hz | 12.0 | 0.62 | 7.5W | 81.70% | 76.52% | 0.06W |
| HNP06I-MicroUSBL6 | 230Vac / 50Hz | 5.0 | 1.50 | 7.5W | 77.13% | 78.15% | 0.08W |
| HNP06I-MiniUSBL6 | 230Vac / 50Hz | 5.0 | 1.50 | 7.5W | 77.13% | 78.15% | 0.08W |
| HNP07-050V2 | 230Vac / 50Hz | 5.0 | 1.50 | 7.5W | 77.21% | 72.50% | 0.06W |
| HNP07-090V2 | 230Vac / 50Hz | 9.0 | 0.84 | 7.5W | 80.58% | 74.04% | 0.06W |
| HNP07-120V2 | 230Vac / 50Hz | 12.0 | 1.00 | 7.5W | 81.05% | 70.94% | 0.06W |
| HNP07-USBV2 | 230Vac / 50Hz | 5.0 | 1.50 | 7.5W | 77.15% | 72.51% | 0.06W |
| HNP12-USBL6 | 230Vac / 50Hz | 5.0 | 2.40 | 12.0W | 80.64% | 78.92% | 0.06W |
| HNP12-050L6 | 230Vac / 50Hz | 5.0 | 2.40 | 12.0W | 80.64% | 78.92% | 0.06W |
| HNP12-090L6 | 230Vac / 50Hz | 9.0 | 1.30 | 11.7W | 83.19% | 80.69% | 0.07W |
| HNP12-120L6 | 230Vac / 50Hz | 12.0 | 1.00 | 12.0W | 85.56% | 82.15% | 0.07W |
| HNP12-150L6 | 230Vac / 50Hz | 15.0 | 0.80 | 12.0W | 83.12% | 71.42% | 0.09W |
| HNP12-240L6 | 230Vac / 50Hz | 24.0 | 0.50 | 12.0W | 86.71% | 77.66% | 0.07W |
| HNP12-MicroUSBL6 | 230Vac / 50Hz | 5.0 | 2.40 | 12.0W | 80.64% | 78.92% | 0.06W |
| HNP12I-USBL6 | 230Vac / 50Hz | 5.0 | 2.40 | 12.0W | 80.41% | 78.96% | 0.06W |
| HNP12I-050L6 | 230Vac / 50Hz | 5.0 | 2.40 | 12.0W | 80.64% | 78.92% | 0.06W |
| HNP12I-090L6 | 230Vac / 50Hz | 9.0 | 1.30 | 11.7W | 83.44% | 81.01% | 0.07W |
| HNP12I-120L6 | 230Vac / 50Hz | 12.0 | 1.00 | 12.0W | 85.72% | 82.15% | 0.05W |
| HNP12I-150L6 | 230Vac / 50Hz | 15.0 | 0.80 | 12.0W | 83.12% | 71.42% | 0.09W |
| HNP12I-240L6 | 230Vac / 50Hz | 24.0 | 0.50 | 12.0W | 86.71% | 77.15% | 0.07W |
| HNP12I-MicroUSBL6 | 230Vac / 50Hz | 5.0 | 2.40 | 12.0W | 80.40% | 79.00% | 0.06W |
| HNP12-050V2 | 230Vac / 50Hz | 5.0 | 2.40 | 12.0W | 82.12% | 75.04% | 0.06W |
| HNP12-090V2 | 230Vac / 50Hz | 9.0 | 1.33 | 12.0W | 83.58% | 74.58% | 0.06W |
| HNP12-120V2 | 230Vac / 50Hz | 12.0 | 1.00 | 12.0W | 84.02% | 74.66% | 0.06W |
| HNP12-USBV2 | 230Vac / 50Hz | 5.0 | 2.40 | 12.0W | 83.54% | 76.44% | 0.06W |
| HNP18-USBV2 | 230Vac / 50Hz | 5.0 | 3.00 | 18.0W | 82.17% | 78.62% | 0.06W |
| HNP18-CV2 | 230Vac / 50Hz | 5.0 | 3.00 | 18.0W | 82.01% | 78.58% | 0.06W |
| HNP18-050V2 | 230Vac / 50Hz | 5.0 | 3.00 | 18.0W | 82.34% | 78.75% | 0.06W |
| HNP18-090V2 | 230Vac / 50Hz | 9.0 | 2.00 | 18.0W | 85.51% | 82.24% | 0.06W |
| HNP18-120V2 | 230Vac / 50Hz | 12.0 | 1.50 | 18.0W | 85.67% | 82.62% | 0.06W |
| HNP18-150V2 | 230Vac / 50Hz | 15.0 | 1.20 | 18.0W | 85.63% | 82.74% | 0.06W |
| HNP18-240V2 | 230Vac / 50Hz | 24.0 | 0.75 | 18.0W | 85.92% | 83.07% | 0.07W |
| HNP18I-USBV2 | 230Vac / 50Hz | 5.0 | 3.00 | 18.0W | 82.26% | 78.81% | 0.06W |
| HNP18I-CV2 | 230Vac / 50Hz | 5.0 | 3.00 | 18.0W | 82.15% | 78.69% | 0.06W |
| HNP18I-050V2 | 230Vac / 50Hz | 5.0 | 3.00 | 18.0W | 82.30% | 78.83% | 0.06W |
| HNP18I-090V2 | 230Vac / 50Hz | 9.0 | 2.00 | 18.0W | 85.43% | 82.15% | 0.06W |
| HNP18I-120V2 | 230Vac / 50Hz | 12.0 | 1.50 | 18.0W | 85.77% | 82.59% | 0.06W |
| HNP18I-150V2 | 230Vac / 50Hz | 15.0 | 1.20 | 18.0W | 85.74% | 82.95% | 0.06W |
| HNP18I-240V2 | 230Vac / 50Hz | 24.0 | 0.75 | 18.0W | 86.08% | 83.17% | 0.07W |
| HNP20EU-CPD | 230Vac / 50Hz | 5.0 | 3.00 | 15.0W | 81.39% | 78.44% | 0.10W |
| | 230Vac / 50Hz | 9.0 | 2.22 | 19.98W | 85.47% | 82.15% | 0.10W |
| | 230Vac / 50Hz | 12.0 | 1.67 | 20.04W | 85.48% | 82.16% | 0.10W |
| HNP20EU-CPDV2 | 230Vac / 50Hz | 5.0V | 3.0A | 15.0W | 84.80% | 79.16% | 0.03W |
| | 230Vac / 50Hz | 9.0V | 2.22A | 19.98W | 88.57% | 81.70% | 0.03W |
| | 230Vac / 50Hz | 12.0V | 1.67A | 20.04W | 88.78% | 78.82% | 0.03W |
| HNP24-090L6 | 230Vac / 50Hz | 9.0 | 2.50 | 22.5W | 86.14% | 84.15% | 0.05W |
| HNP24-120L6 | 230Vac / 50Hz | 12.0 | 2.00 | 24.0W | 86.12% | 83.58% | 0.05W |
| HNP24-150L6 | 230Vac / 50Hz | 15.0 | 1.60 | 24.0W | 86.74% | 82.89% | 0.09W |
| HNP24-240L6 | 230Vac / 50Hz | 24.0 | 1.00 | 24.0W | 87.64% | 84.06% | 0.07W |
| HNP24I-090L6 | 230Vac / 50Hz | 9.0 | 2.50 | 22.5W | 86.14% | 84.15% | 0.05W |
| HNP24I-120L6 | 230Vac / 50Hz | 12.0 | 2.00 | 24.0W | 86.12% | 83.58% | 0.05W |
| HNP24I-150L6 | 230Vac / 50Hz | 15.0 | 1.60 | 24.0W | 85.98% | 83.11% | 0.10W |
| HNP24I-240L6 | 230Vac / 50Hz | 24.0 | 1.00 | 24.0W | 87.64% | 84.06% | 0.07W |
| HNP30EU-CPD | 230Vac / 50Hz | 5.0V | 3.0A | 15.0W | 85.16% | 80.20% | 0.07W |
| | 230Vac / 50Hz | 9.0V | 3.0A | 27.0W | 88.15% | 83.58% | 0.07W |
| | 230Vac / 50Hz | 12.0V | 2.5A | 30.0W | 89.03% | 82.83% | 0.07W |
| | 230Vac / 50Hz | 15.0V | 2.0A | 30.0W | 89.16% | 81.45% | 0.07W |
| | 230Vac / 50Hz | 20.0V | 1.5A | 30.0W | 88.68% | 77.83% | 0.07W |
| HNP36-4USB | 230Vac / 50Hz | 5.0 | 7.20 | 36.0W | 86.70% | 85.30% | 0.07W |
| HNP36I-4USB | 230Vac / 50Hz | 5.0 | 7.20 | 36.0W | 86.70% | 85.30% | 0.07W |
| HNP40F-2CPD | 230Vac / 50Hz | 5.0V | 3.0A | 15.0W | 85.66% | 80.00% | 0.17W |
| | 230Vac / 50Hz | 9.0V | 2.22A | 19.98W | 89.08% | 82.04% | 0.17W |
| | 230Vac / 50Hz | 12.0V | 1.67A | 20.04W | 89.55% | 80.72% | 0.17W |
| HNP42EU-050 | 230Vac / 50Hz | 5.0 | 5.00 | 25.0W | 84.28% | 80.90% | 0.10W |
| HNP42EU-090 | 230Vac / 50Hz | 9.0 | 3.00 | 27.0W | 85.90% | 81.26% | 0.10W |
| HNP42EU-120 | 230Vac / 50Hz | 12.0 | 3.50 | 42.0W | 88.05% | 84.41% | 0.10W |
| HNP42EU-150 | 230Vac / 50Hz | 15.0 | 2.80 | 42.0W | 88.47% | 84.21% | 0.10W |
| HNP42EU-240 | 230Vac / 50Hz | 24.0 | 1.75 | 42.0W | 89.20% | 84.15% | 0.10W |
| HNP42I-050 | 230Vac / 50Hz | 5.0 | 5.00 | 25.0W | 84.28% | 80.90% | 0.10W |
| HNP42I-090 | 230Vac / 50Hz | 9.0 | 3.00 | 27.0W | 87.02% | 84.03% | 0.08W |
| HNP42I-120 | 230Vac / 50Hz | 12.0 | 3.50 | 42.0W | 87.99% | 85.11% | 0.07W |
| HNP42I-150 | 230Vac / 50Hz | 15.0 | 2.80 | 42.0W | 88.84% | 86.01% | 0.08W |
| HNP42I-240 | 230Vac / 50Hz | 24.0 | 1.75 | 42.0W | 89.65% | 86.53% | 0.08W |
| HNP65EU-CPDGaN | 230Vac / 50Hz | 5.0V | 3.0A | 15.0W | 84.30% | 69.23% | 0.07W |
| | 230Vac / 50Hz | 9.0V | 3.0A | 27.0W | 88.03% | 76.96% | 0.07W |
| | 230Vac / 50Hz | 12.0V | 3.0A | 36.0W | 88.86% | 79.13% | 0.07W |
| | 230Vac / 50Hz | 15.0V | 3.0A | 45.0W | 89.57% | 82.09% | 0.07W |
| | 230Vac / 50Hz | 20.0V | 3.25A | 65.0W | 90.46% | 83.75% | 0.07W |
| HNP65F-120 | 230Vac / 50Hz | 12.0 | 5.00 | 60W | 88.15% | 86.23% | 0.09W |
| HNP65F-150 | 230Vac / 50Hz | 15.0 | 4.30 | 60W | 90.10% | 85.33% | 0.02W |
| HNP65F-240 | 230Vac / 50Hz | 24.0 | 2.70 | 60W | 90.78% | 87.56% | 0.01W |
| HNP65-120L6 | 230Vac / 50Hz | 12.0 | 5.00 | 60.0W | 89.00% | 83.00% | 0.16W |
| HNP65-150L6 | 230Vac / 50Hz | 15.0 | 4.30 | 64.5W | 89.50% | 83.00% | 0.16W |
| HNP65-240L6 | 230Vac / 50Hz | 24.0 | 2.72 | 65.2W | 90.00% | 83.00% | 0.16W |
| HNP90M-120 | 230Vac / 50Hz | 12.0V | 7.0A | 84.0W | 88.59% | 89.98% | 0.10W |
| HNP90M-190 | 230Vac / 50Hz | 19.0V | 4.7A | 89.3W | 88.62% | 87.51% | 0.12W |
| HNP90M-240 | 230Vac / 50Hz | 24.0V | 3.75A | 90.0W | 89.58% | 86.49% | 0.13W |
| HNP120M-120 | 230Vac / 50Hz | 12.0V | 8.0A | 96.0W | 88.56% | 89.18% | 0.14W |
| HNP120M-240 | 230Vac / 50Hz | 24.0V | 5.0A | 120.0W | 88.49% | 72.54% | 0.13W |
| HNP120M-480 | 230Vac / 50Hz | 48.0V | 2.7A | 129.6W | 89.64% | 87.68% | 0.11W |
| HNP180U-120 | 230Vac / 50Hz | 12.0V | 8.5A | 102.0W | 88.61% | 80.16% | 0.07W |
| HNP180U-240 | 230Vac / 50Hz | 24.0V | 7.5A | 180.0W | 91.35% | 85.82% | 0.03W |
| HNP180U-480 | 230Vac / 50Hz | 48.0V | 3.7A | 177.6W | 91.02% | 82.22% | 0.02W |