



ISO 9001:2008
REGISTERED

GTM96600-60VV-R2

Exista
POWER SUPPLIES



Allmendstrasse 6 CH-8320 Fehraltorf
Tel. +41 43 204 01 01 sales@exista.ch
Fax +41 43 204 01 02 www.exista.ch



**60 Watts, Regulated Switchmode AC-DC ITE/Medical
Power Supply, Wall Plug-in+Desktop Combination**



ELECTRICAL SPECIFICATIONS:

INPUT VOLTAGE:

SPECIFIED 90-264 VAC, NAMEPLATE RATED: 100-240VAC

INPUT FREQUENCY:

SPECIFIED 47-63 HZ, NAMEPLATE RATED 50/60HZ

OUTPUT REGULATION:

+/- 5% MEASURED AT THE OUTPUT CONNECTOR, (TIGHTER +/-3% AS OPTION)

LINE VOLTAGE REGULATION:

+/- 0.5% TYPICAL MEASURED AT FULL LOAD

GREEN POWER ON INDICATOR LED

OUTPUT RIPPLE (VP-P):

1% OR 100 mV WHICHEVER IS GREATER, MEASURED AT 20 MHZ BANDWIDTH WITH 0.1 µf CERAMIC CAPACITOR IN PARALLEL WITH A LOW IMPEDANCE 10 µf ELECTROLYTIC CAPACITOR CONNECTED AT THE END OF THE OUTPUT CONNECTOR

TURN-ON/OFF OVERTHOOT:

5% MAXIMUM, 1 MS TYPICAL RECOVERY TIME FOR 40% TO 70% STEP LOAD

TURN-ON DELAY:

1 SECOND MAXIMUM

HOLD-UP TIME:

8 MS TYPICAL @ NOMINAL INPUT VOLTAGE AND FULL LOAD

INRUSH CURRENT:

30A/60A MAXIMUM COLD START @ 115/230VAC INPUT

EFFICIENCY:

COMPLIANT WITH WORLDWIDE LEVEL VI STANDARDS.

NO LOAD STANDBY POWER:

0.1 W MAX FOR <= 49W OUTPUT POWER RATING,
0.21W MAX FOR >49W OUTPUT POWER RATING

PROTECTION

OVER-VOLTAGE:

110% TO 130% OF NOMINAL OUTPUT VOLTAGE

SHORT CIRCUIT:

ELECTRONICALLY PROTECTED UNIT WILL AUTO RECOVER UPON REMOVAL OF FAULT

OUTPUT CURRENT LIMIT:

110% TO 160% OF RATED OUTPUT

INPUT PROTECTION:

INPUT LINE FUSING AND 300VAC MOV

SAFETY

DIELECTRIC WITHSTAND VOLTAGE:

4000VAC OR 5656VDC FROM INPUT TO OUTPUT, ON CLASS I MODELS, 3000VAC OR 4242VDC FROM INPUT TO EARTH

EARTH LEAKAGE CURRENT:

CLASS I MODELS < 300µA, N/A FOR CLASS II MODELS

TOUCH CURRENT:

CLASS I MODELS < 20µA, CLASS II MODELS < 75µA

OUTPUT FLOATING OR EARTHED OPTION FOR CLASS I MODELS.

EARTH CONTINUITY TEST:

< 0.1 OHM BETWEEN EARTH PIN AT AC INPUT AND PCB TERMINATION POINT (CLASS I MODELS ONLY)

MEANS OF PROTECTION:

2 X MOPP

PRIMARY TO SECONDARY BRIDGING CAPACITANCE:

TWO IEC60384-14 CERTIFIED Y1 TYPE CAPACITORS IN SERIES

EMC

EN 60601-1-2, 4TH EDITION

EMISSIONS, PER EN 55022

CONDUCTED EMISSIONS: CLASS B, FCC PART 15, CLASS B

RADIATED EMISSIONS: CLASS B, FCC PART 15, CLASS B

LINE FREQUENCY HARMONICS EN61000-3-2, CLASS A

VOLTAGE FLUCTUATIONS/Flicker EN61000-3-3

IMMUNITY, PER EN 55024 PROCEDURE

STATIC DISCHARGE IMMUNITY EN61000-4-2, 10KV CONTACT

DISCHARGE, 20KV AIR DISCHARGE

RADIATED RF IMMUNITY EN61000-4-3, 10V/M 80-1000MHZ,

3V/M 1-2.7GHZ, 80% 1KHZ AM.

EFT/BURST IMMUNITY EN61000-4-4, 4KV/25KHZ.

LINE SURGE IMMUNITY EN61000-4-5, 2KV DIFFERENTIAL,

4KV COMMON-MODE

CONDUCTED RF IMMUNITY EN61000-4-6, 3VRMS, 80% 1KHZ AM

POWER FREQUENCY MAGNETIC FIELD IMMUNITY

EN61000-4-8, 3A/M

VOLTAGE DIP IMMUNITY EN61000-4-11, CRITERIA

OTHER:

MTBF:

300,000 HOURS @ 25°C AMBIENT TEMPERATURE

OPERATING TEMPERATURE:

0°C TO 40°C AMBIENT TEMPERATURE AT FULL LOAD, -10°C

TO 50°C AMBIENT TEMPERATURE WITH 80% LOAD DERATING

OPERATING HUMIDITY:

0% TO 90% RELATIVE HUMIDITY

STORAGE TEMPERATURE:

-10°C TO 80°C

OPERATING ALTITUDE:

5000 METERS

ROHS 2:

COMPLIES WITH EU 2011/65/EU AND CHINA SJ/T 11363-2006

SPECIAL OPTIONS

COST REDUCTION, REMOVAL OF LED

CUSTOM CORDSETS, VARIOUS CORDAGE TYPES, AND

CONNECTOR TYPES

CUSTOM MARKINGS

SHORT TERM OUTPUT SURGE CAPABILITY

REDUCED LEAKAGE CURRENT VERSIONS

TIGHTENED OUTPUT VOLTAGE TOLERANCE

CONSTANT CURRENT BATTERY CHARGER CHARACTERISTIC

REDUCED OUTPUT POWER RATING

HIGH REL PCB LAMINATE WITH PLATED THROUGH HOLES

FOR IPC610 CLASS 2 COMPLIANCE

SPECIAL HOUSING COLORS AND CORDSET COLORS

OUTPUT VOLTAGE / CURRENT:

MODEL NUMBER	OUTPUT VOLTAGE (VDC)	OUTPUT CURRENT (A)	RATED OUTPUT POWER (W)
GTM96600-3009-4.0-R2	+5.00	0 - 6.00	30.00
GTM96600-3009-3.0-R2	+6.00	0 - 5.00	30.00
GTM96600-3009-2.5-R2	+6.50	0 - 4.60	29.90
GTM96600-6015-3.0-R2	+12.0	0 - 5.00	60.00
GTM96600-6015-3.0-R2	+12.0	0 - 5.00	60.00
GTM96600-6024-5.0-R2	+19.0	0 - 3.16	60.04
GTM96600-6024-R2	+24.0	0 - 2.50	60.00
GTM96600-4824-R2	+24.0	0 - 2.00	48.00
GTM96600-6048-18-R2	+30.0	0 - 2.00	60.00
GTM96600-6048-R2	+48.0	0 - 1.25	60.00



ISO 9001:2008
REGISTERED

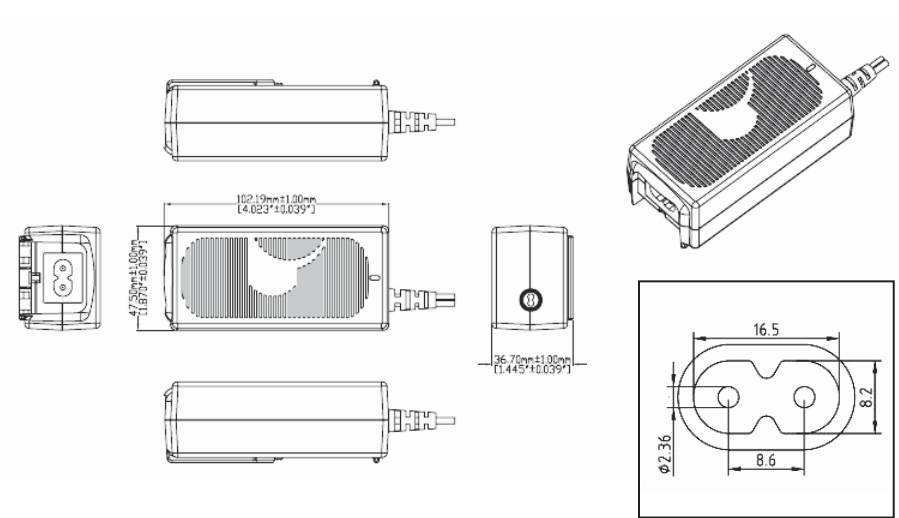


60 Watts, Regulated Switchmode AC-DC ITE/Medical Power Supply, Wall Plug-in+Desktop Combination

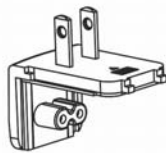


ENCLOSURE

HOUSING: HIGH IMPACT PLASTIC, 94V0 POLYCARBONATE, NON-VENTED
MARKINGS: LABEL AND/OR PAD PRINTED AND/OR MOLDED IN THE CASE
INGRESS PROTECTION: IP40, IP54 OPTION AVAILABLE
SIZE (MM): (L)117.53X(W)53.47X(H)36.6MM

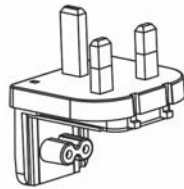


INPUT CONFIGURATION:
IEC 60320/C8 AC INLET
CONNECTOR



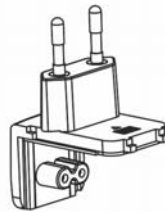
UL 2P

P/N: R-NA-2(R)
NORTH AMERICA
JAPAN



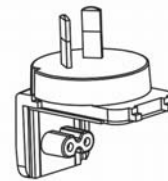
UK 2P

P/N: R-UK-2(R)
UNITED KINGDOM
HONG KONG
SINGAPORE



EU 2P

P/N: R-EU-2(R)
EUROPE
SOUTH AMERICA



AUS 2P

P/N: R-SAA-2(R)
AUSTRALIA

Optional INPUT BLADES: R-Socket: below are available blades configurations which are "not included" (unless stated above); may be purchased separately, packaged with power supply, or as a separate "R-KIT" if specified

1. Class II model NEMA 1-15P AC power plug with 2 prongs, R-NA-2(R)
2. Australian AS 3112 configuration: SAA 2 pins Class II, R-SAA-2(R)
3. UK BS 1363 configuration: UK 2 pins (dummy Ground) Class II, R-UK-2(R)
4. European CEE 7/16 configuration: Europlug 2 PINS, Class II, R-EU-2(R)
5. Desktop Insert

Kits

R-KIT: 1,2,3,4 above
R-KIT-INTL: 2,3,4 above

