



ISO 9001:2008
REGISTERED

GT-46060

Exista
POWER SUPPLIES



Allmendstrasse 6
CH-8320 Fehraltorf

Tel. +41 43 204 01 01 sales@exista.ch
Fax +41 43 204 01 02 www.exista.ch



6 Watts, Wall Plug-In, AC/DC Switching Adapter



ELECTRICAL SPECIFICATIONS:

INPUT VOLTAGE:

SPECIFIED 90-264 VAC, NAMEPLATE RATED: 100-240VAC

INPUT FREQUENCY:

SPECIFIED 47-63 HZ, NAMEPLATE RATED 50-60HZ

INRUSH CURRENT:

NO DAMAGE. ON POWER WHEN SWITCHING ON/OFF REPEATEDLY UNDER ANY CONDITION.

AVERAGE EFFICIENCY:

75% MIN. (CEC & DOE LEVEL VI COMPLIANT), 75.1% MIN. (ERP TIER2 COMPLIANT)

INPUT POWER(NO LOAD):

< 0.1W (CEC & DOE LEVEL VI COMPLIANT), <0.075W (ERP TIER2 COMPLIANT)

OUTPUT VOLTAGE TOLERANCE:

±5%

LINE REGULATION:

±3%

RIPPLE VOLTAGE:

150MV (P-P): INPUT :(100V-240VAC), OUTPUT: FULL LOAD

OUTPUT RIPPLE (VP-P):

+/-1% OR 150 MV WHICHEVER IS GREATER, MEASURED AT 20 MHZ BANDWIDTH WITH 0.1 UF CERAMIC CAPACITOR IN PARALLEL WITH 10 UF ELECTROLYTIC CAPACITOR CONNECTED AT THE END OF THE OUTPUT CONNECTOR AT NOMINAL LINE

PROTECTION

OVER VOLTAGE PROTECTION:

OUTPUT SHUT DOWN AND AUTO RESTART

SHORT CIRCUIT PROTECTION:

OUTPUT SHUT DOWN AND AUTO RESTART

INSULATION RESISTANCE:

INPUT TO OUTPUT: 500VDC TO TEST THE INPUT TO OUTPUT RESISTANCE NOT BE LESS 100M OHM

SAFETY

HI-POT:

INPUT TO OUTPUT : 3000VAC OR 4242VDC 10MA 1 MINUTE

TOUCH CURRENT:

<0.25MA @ 240VAC INPUT VOLTAGE

OTHER:

MTBF:

200,000 HOURS @ 25°C AMBIENT TEMPERATURE

OPERATING TEMPERATURE:

0°C TO 40°C AMBIENT TEMPERATURE

HUMIDITY OPERATING:

20% TO 80%. 0% TO 90% RELATIVE HUMIDITY

STORAGE TEMPERATURE:

-10°C TO 70°C

HUMIDITY STORAGE:

10% TO 90%

ROHS 2:

COMPLIES WITH EU 2011/65/EU AND CHINA SJ/T 11364-2014

OUTPUT VOLTAGE / CURRENT:

MODEL NUMBER	OUTPUT VOLTAGE (VDC)	OUTPUT CURRENT (A)	RATED OUTPUT POWER (W)
GT-46060-0605-1.5	3.5 V	1.2	4.20
GT-46060-0605	5 V	1.2	6.00
GT-46060-0606-0.05	5.95 V	1	5.95
GT-46060-0609-2.5	6.5 V	0.92	5.98
GT-46060-0609-1.5	7.5 V	0.8	6.00
GT-46060-0612-4.5	7.5 V	1	7.50
GT-46060-0609	9 V	0.66	5.94
GT-46060-0609	9 V	0.67	6.03
GT-46060-0612	12 V	0.5	6.00
GT-46060-0615	15 V	0.4	6.00
GT-46060-0618	18 V	0.33	5.94
GT-46060-0624	24 V	0.25	6.00



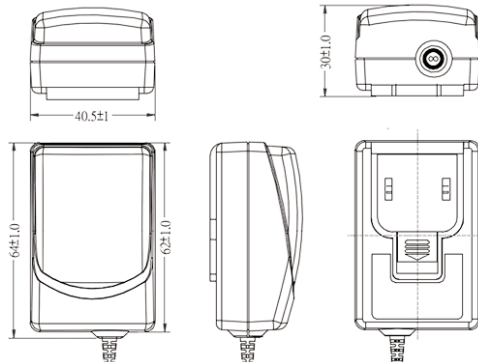
ISO 9001:2008
REGISTERED



6 Watts, Wall Plug-In, AC/DC Switching Adapter

ENCLOSURE

HIGH IMPACT PLASTIC, 94V0 POLYCARBONATE, NON-VENTED
 SIZE: 40.5 X 64.0 X 30.0 +/-1.0 MM
 MARKINGS: LABEL AND/OR PAD PRINTED AND/OR MOLDED IN THE CASE



INPUT CONNECTOR: Q-SOCKET
 (RIGHT ARE AVAILABLE BLADES
 CONFIGURATIONS WHICH ARE
 "NOT INCLUDED"
 (UNLESS STATED ABOVE);
 CAN BE PURCHASED
 SEPARATELY, PACKAGE WITH
 POWER SUPPLY OR AS A
 SEPARATE "Q-KIT" IF SPECIFIED



- 01. North America / Japan NEMA 1-15P configuration: NA 2 blades, Class II; P/N: Q-NA(R)
- 02. Australian AS 3112 configuration: SAA 2 blade, Class II; P/N: Q-SAA(R)
- 03. UK BS 1363 configuration: UK 3 blade with dummy Ground, Class II; P/N: Q-UK(R)
- 04. European CEE 7/16 configuration: Europlug 2 pins, Class II; P/N: Q-EU(R)
- 05. Korean KS C8305 configuration: 2 pins, Class II; P/N: Q-KR(R)
- 06. Argentina IRAM 2073 configuration: 2 blades; P/N: Class II Q-AR(R)
- 07. China GB 2099 configuration: 2 blades, Class II; P/N: Q-CN(R)
- 08. India IS 1293 6A/SANS 164-3/BS546 configuration: 5A, 3 pins with Dummy Ground, Class II; P/N: Q-IN(R)
- 09. IEC320/C18 Inlet, Class II; P/N: Q-C18(R)
- 10. Brazilian NBR6147 configuration: 2 pins, Class II; P/N: Q-BR(R)
- 11. S. African SANS 164-1 configuration: 2 pins with Dummy Ground, Class II; P/N: Q-SANS164-1-16A(R)
- 12. British Standard BS 546-15A configuration: 2 pins with Dummy Ground, Class II; P/N: Q-BS546-15A(R)

Kits

- 01. Q-KIT: 1,2,3,4 above
- 02. Q-KIT-INTL: 2,3,4 above
- 03. Q-KIT-6: 1,2,3,4,5,6 above
- 04. Q-KIT-7: 1,2,3,4,5,6,7 above

