



Technical Information

E2410

Product name
E2410



Description	E2410
	Single-Phase Power Supply 24 V / 5 A for DIN Rail and electrical control cabinet

Characteristics	
	Ultra slim design
	Universal AC input voltage range
	Built-in constant current circuit for reactive loads
	High Power Density
	Reduced no-load power consumption
	Operate from -30°C to +70°C with -40°C Cold Start
	Compliance to SEMI F47 @ 200Vac
	Compliance with DOE VI Energy Standard

Input	
Nominal Input Voltage	100 - 240 VAC
Input Voltage Range	90 - 264 VAC
Nominal Input Frequency	50 - 60 Hz
Input Frequency Range	47 - 63 Hz
Efficiency at 100% load	90 % at 230 VAC
Inrush Current	2.5 A/115 VAC 1.3 A/230 VAC
Power consumption without load	0.21 W max. at 115 VAC & 230 VAC
Max. Inrush current	40 A at 230 VAC
Leakage Current	< 0.75 mA at 240 VAC
Powerfactor at 100% load	> 0.95 at 115 & 230 VAC

Output	
Nominal Output Voltage	24 V
Output Current	10 A
Output Power	240 W
Output Voltage Adjustment Range	21.6-26.4 VDC
Factory Set Point Tolerance	± 1 %
Line Regulation	± 0.5 % (at 115 & 230 VAC)
Load Regulation	± 0.5 %
PARD ²	< 150m Vpp at 0°C to 70°C < 450m Vpp at -30°C to 0°C
Rise Time	30 ms typ at 115 & 230 VAC
Start-up Time	500 ms typ. at 115 & 230 VAC
Hold-up Time	20ms typ. at 115Vac (100% load) 20ms typ. at 230Vac (100% load)
Dynamic Response (Overshoot & Undershoot O/P Voltage)	± 10% @ 115 & 230 VAC Input, 10-100 % load (Slew Rate: 2.5A/µS, 50% duty cycle @ 5Hz & 10KHz)
Start-up with Capacitive Loads	8.000 µF max.

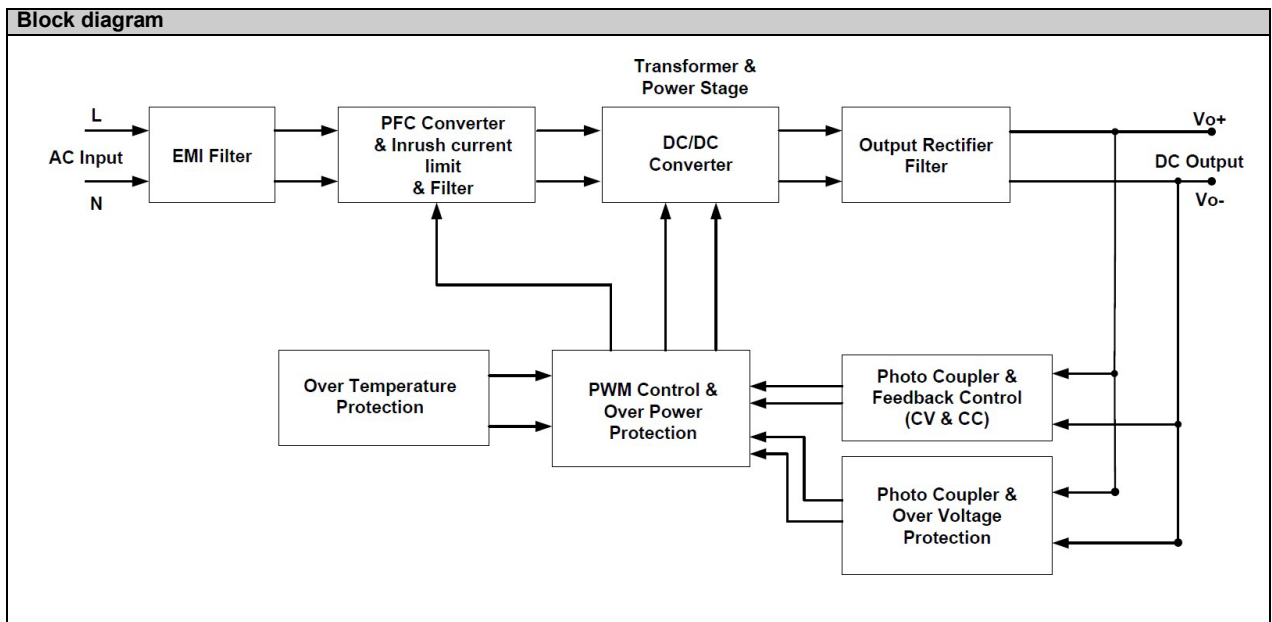
Protection	
Overvoltage	<33,6 V, SELV Output, Latch Mode
Overload/ Overcurrent	105 – 150% of rated load current, Continuous current limit mode (Vo>80%), Auto-Recovery
Over Temperature	Latch Mode
Short Circuit	Hiccup Mode, Non-Latching (Auto-Recovery when fault is removed)
Protection Against Shock	Class I with PE-connection

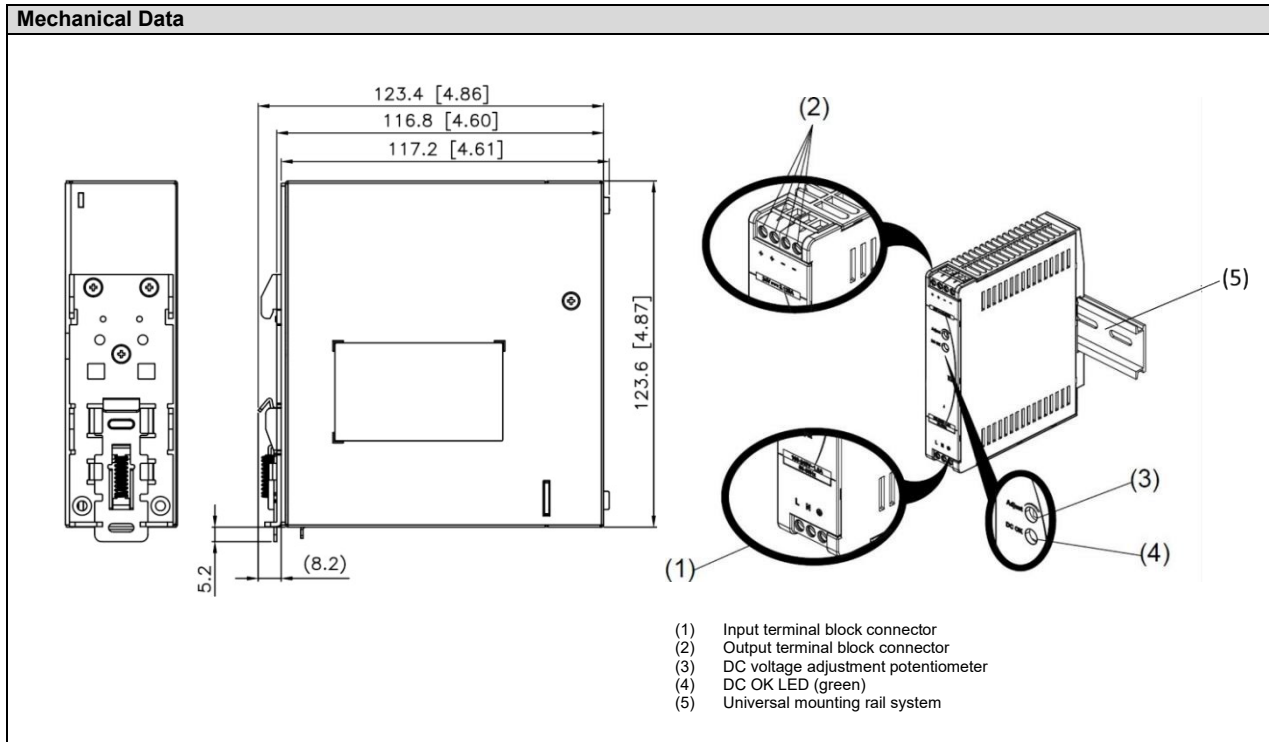
Environment	
Surrounding Air Temperature	-30°C to +70°C (-40°C cold start)
Humidity	20 to 90% RH (non-condensing)
Storage Temperature	-40°C to +85°C
Power De-rating (temperature)	> 40°C de-rate by 1.67 % / °C @ 115Vac > 50°C de-rate by 2.5 % / °C @ 230Vac
Power De-rating (input voltage)	< 100VAC de-rate by 1 %/VAC
Operating Altitude	0 – 5.000 m
Vibration	Non-operating: IEC 60068-2-6, Random: 5Hz to 500Hz; 2.09 _{rms} ; 20 min. pro Achse (x,y,z) Operating IEC 60068-2-6, Sinus : 10Hz – 500Hz bei 19.6m/s ² (2G peak); Verschiebung um 0.35mm; 10 min pro Zyklus, 60 min für X-Richtung
Shock Test	Außer Betrieb: IEC 60068-2-6, Random: 5Hz to 500Hz (2.09G); 20 min per axis for all X, Y, Z direction Im Betrieb: IEC 60068-2-6, Sine Wave: 10Hz to 500Hz @ 19.6 m/s ² (2G peak); 10 min per cycle, 60 min for X direction
Over Voltage Category	II (Compliance to EN 62477-1 OVC III with 2000 meters altitude)
Pollution degree	2

Safety/EMC	
Electrical Safety	CB Scheme; IEC 62368-1, IEC 60950-1, IEC 61010-1 & -2-201 TÜV Bauart: EN 62368-1, EN 61010-1 & -2-201 UL/cUL: UL 62368-1 CCC: GB4943.1 EAC: TP TC 004/2011 KC: K60950-1
CE	In conformance with EMC Directive 2014/30/EU and Low Voltage Directive 2014/35/EU
Galvanic Isolation	Input-Output: 3 KVAC Input-Ground: 2 KVAC Output-Ground: 1 KVAC



EMC (CE & RE)	CISPR 32, EN 55032, EN 61000-6-4, AS/NZS CISPR32, EN 61204-3, KN32 Compliance to FCC Title 47, EN 61000-6-3: Class B	
Component Power Supply for General Use	EN61204-3	
EMV Immunity	EN 55035, KN35, EN 61000-6-2 Compliance to EN 61000-6-1	
Electrostatic Discharge	IEC 61000-4-2	Level 4 Criteria A Air Discharge: 15kV Contact Discharge: 8kV
Radiated Field	61000-4-3	Criteria A1) 80MHz-1GHz, 10V/M, 80% Modulation (1kHz) 1.4GHz-2GHz, 3V/M, 80% Modulation (1KHz) 2GHz-2.7GHz, 1V/M, 80% Modulation(1KHz)
Electrical Fast Transient / Burst	61000-4-4	Level 3, Criteria A 2kV
Surge	IEC 61000-4-5	Level 4, Criteria A Common Mode (Line to earth): 4kV Differencial Mode (Line to line): 2kV
Conducted	IEC 61000-4-6	Level 3, Criteria A 150kHz-80MHz, 10Vrms
Power Frequency Magnetic Fields	IEC 61000-4-8	Level 2, Criteria A 30A/m
Voltage Dips and Interruptions	IEC 61000-4-11	0 % residual, 1 cycle, Criteria B 40 % residual, 10 cycles, Criteria C 70 % residual, 25 cycles, Criteria C
Harmonic Current Emission	IEC/EN 61000-3-2	Class A
Voltage Fluctuation and Flicker	IEC/EN 61000-3-3	
Voltage Sag Immunity	SEMI F47 – 0706	80 % of 200 VAC, 160 VAC, 1000 ms (Criteria B) 70 % of 200 VAC, 140 VAC, 500 ms (Criteria A) 50% of 200 VAC, 100 VAC, 200 ms (Criteria A)
MTBF – Mean Time between Failure	Telcordia > 700.000 Std, IP : 115 & 230 VAC, O/P : 100% load, Ta: 25°C	
Expected Cap Lifetime	10 years (230VAC, 50% load at 40°C)	





Dimensions L x W x D in mm	123.6 x 40 x 117.2	
Weight in kg	0.62	
Case Cover/ Chassis	SGCC/ Aluminium	
Indicator	green LED (DC-OK)	
Cooling	convection	
Terminal	Input: 3 Pins (rated 300V/20A) Output: 4 Pins (rated 300V/20A)	
Wire	Input: AWG 18-12 Output: AWG 18-12	
Mounting rail	Standard TS35 mounting rails (in accordance to EN 60715)	
Noise (1 Meter from power supply)	SPL < 25dBA	

