



*Let's talk!*

# DC-DC Converter DCDCW300 Series

For Rail & Industrial Applications

## Specification

### General

Safety EN 60950, VDE 0805  
overload- and short-circuit protected

### Electrical data

#### Input

Nominal input voltage 48/60V<sub>DC</sub> (38-72V<sub>DC</sub>)  
110V<sub>DC</sub> (77-150V<sub>DC</sub>)  
(110V<sub>DC</sub>: for 1 sec. up to 165V<sub>DC</sub>)

#### Output

Nominal output voltage 24V<sub>DC</sub>, (22V<sub>DC</sub>-26V<sub>DC</sub> adjustable)  
48V<sub>DC</sub>, (46V<sub>DC</sub>-50V<sub>DC</sub> adjustable)  
60V<sub>DC</sub>, (58V<sub>DC</sub>-62V<sub>DC</sub> adjustable) –  
only with 48/60V<sub>DC</sub> input voltage  
isolated, "floating"  
Output voltage Stability +/-0,5V<sub>DC</sub>  
Efficiency >85%  
Output power 300W

Parallel operation via passive load current sharing,  
falling curve

### Environmental conditions

Ambient temperature -25°C to +45°C  
At installation point -25°C to +60°C, non condensing  
Relative humidity <75% average per year

Shock and vibration according to EN50155, „mounted  
(in combination with into the frame“  
optional coating) frequency range: 5-150Hz  
transfer frequency: 8,2Hz

Amplitude below transit frequency: 7,5mm  
Amplitude acceleration above transit frequency 20m/s<sup>2</sup>

### EMC

Burst according to EN50121-3-2,  
2kV, crit. A, directly coupled  
Surge 1,8kV / source 100 Ohm,  
1,0kV / source 2 Ohm,  
(for alarm contact 1,5kV)

Conductive HF 3V RMS 1kHz AM, 80%,  
150kHz - 80MHz

ESD 8kV air, 6kV contact

Emitted disturbance immunity 10V/m 80MHz-1GHz, 80% AM,  
900MHz pulse modulated

Conductive emissions 99 dB $\mu$ V QP 150kHz- 500kHz,  
93 dB $\mu$ V 500kHz-30MHz



Picture may differ from actual device.

Conductive disturbance, radiated 30-230MHz 47 dB $\mu$ V/m QP.  
230MHz-1GHz 40 dB $\mu$ V/m QP.  
10m measuring distance

Test voltage according to EN50155 with  
1,5kV<sub>AC</sub> (prim.-> sec./PE)  
500V<sub>AC</sub> (sec.->prim./PE)

### Signals

Alarm output potential free alarm contact,  
contact load 60V<sub>DC</sub>, 100mA

Opt. signal LED, yellow = converter o.k.

### Mechanical data

Dimensions (W x D x H) 140 x 180 x 85 mm  
Weight approx. 1,7kg  
Protection class IP 30  
Cooling via heat sink, free convection

### Connection

Input cage clamp, 2,5mm<sup>2</sup>  
Output cage clamp, 2,5mm<sup>2</sup>  
Signal cage clamp, 2,5mm<sup>2</sup>

Warranty 24 months

Order code DCDCW300-60-24  
DCDCW300-60-48  
DCDCW300-60-60  
DCDCW300-110-24  
DCDCW300-110-48

(Optional formal coating and add. glued components)



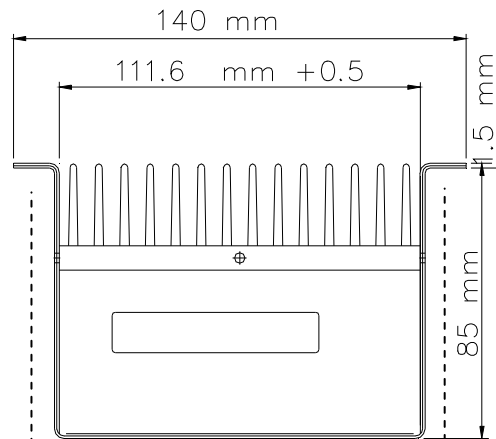
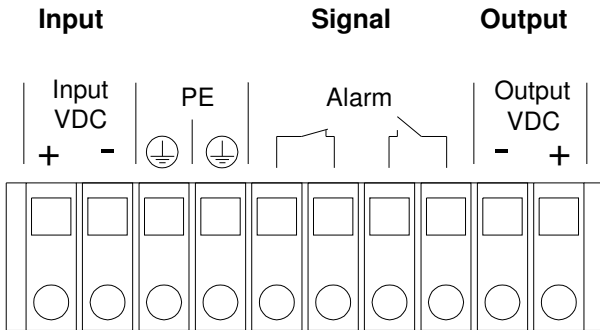
*Let's talk!*

# DC-DC Converter DCDCW300 Series

For Rail and Industrial Applications

## Specification

### Connection characteristic



### Connector type

Pluggable cage clamp-connector, 10 pole, 2,5mm<sup>2</sup>, with locking function, manufacturer: Wago.

### Mechanical data

#### Drill position

