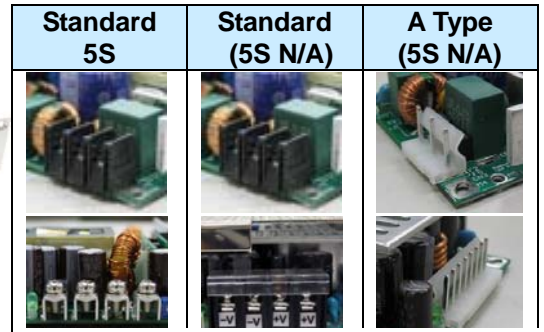


AQF240U SERIES

240 Watts

KEY FEATURES

- U Bracket Switching Power Supply
- Universal Input: 90-264 VAC
- With P.F.C. Function, PF>0.95
- High Efficiency up to 93%
- RoHS Compliant Design
- Ultra Compact Size: 6.0 x 4.18 x 1.38 Inches
- 3-Year Product Warranty



Please refer to the types of terminal block; the pictures shown are for illustration purpose only, actual product may vary.

ELECTRICAL SPECIFICATIONS



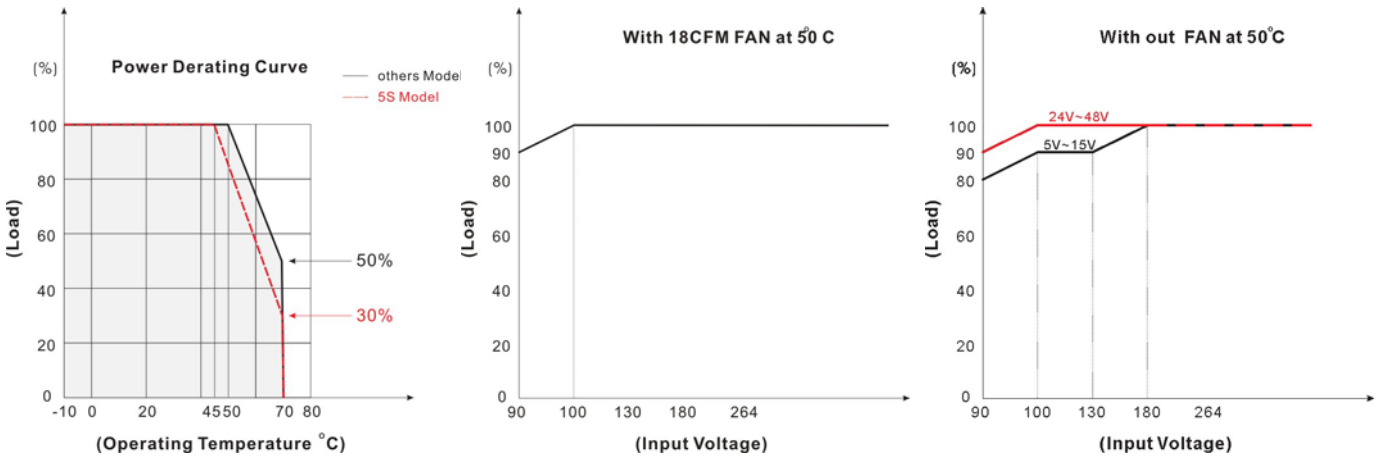
All specifications valid at normal input voltage, full load and +25°C after warm-up time unless otherwise stated.

Model No.	AQF240 U-5S	AQF240 U-12S	AQF240 U-15S	AQF240 U-24S	AQF240 U-28S	AQF240 U-36S	AQF240 U-32S	AQF240 U-48S		
Max Output Wattage (W)	180W	240W								
Input	Voltage (Note 3)	90-264 VAC or 120-370 VDC								
	Frequency (Hz)	47-63 Hz								
	Current (Full load)	<3.0 A max. (115 VAC) / <1.5 A max. (230 VAC)								
	Inrush Current (<2ms)	< 30 A max. (115 VAC) / < 60 A max. (230 VAC)								
	Leakage Current	< 0.5 mA max.								
	Power Factor	PF>0.98 (115 VAC) / PF>0.95 (230 VAC) at Full Load								
Output	Voltage (V.DC.)	5V	12V	15V	24V	28V	36V	32V	48V	
	Trim	±5% Output Voltage								
	Voltage Accuracy	±2%								
	Current (Convection) (A) max	36	20	16	10	8.57	6.66	7.5	5	
	Line Regulation	±1%								
	Load Regulation	±1%								
	Minimum Load	5%	2%							
	Maximum Capacitive Load	470-23,000µF depending on model								
	Ripple & Noise (max.)	150mVp-p	120mVp-p	200mVp-p						
	Efficiency (at 230VAC)	87%	90%	90%	92%	92%	92%	92%	93%	
Hold-up Time	10 ms min.									
Protection	Over Power Protection	Auto recovery								
	Over Voltage Protection	Latch Off								
	Short Circuit Protection	Protection level 1 (nominal) : Continuous, Auto recovery Protection level 2 (instantaneous high current) : Latch								
Isolation	Input-Output (V.AC)	4000VAC or 5656VDC								
	Input-FG (V.AC)	2000V								
	Output-FG (V.AC)	500V								
Environment	Operating Temperature	-10°C...+70°C (with derating)								
	Storage Temperature	-25°C...+85°C								
	Temperature Coefficient	±0.03%/°C (0~50°C)								
	Humidity	95% RH								
	MTBF	>120,000 h @ 25°C (MIL-HDBK-217F)								
Vibration	10~500Hz, 2G 10min./1cycle, 60min. each along X, Y, Z axes.									
Physical	Dimensions (L x W x H)	5S: 6.0 x 4.18 x 1.46 Inches (150.0 x 106.0 x 37.0 mm) Tolerance ±0.5 mm Others: 6.0 x 4.18 x 1.38 Inches (150.0 x 106.0 x 35.0 mm) Tolerance ±0.5 mm								
	Weight	580 g								
	Cooling Method	Free convection or 18CFM								
Safety	Agency Approvals	IEC / EN 60950(5S,15S, 28S, 36S N/A) , UL/ IEC / EN 62368-1(5S,15S, 28S, 36S N/A)								
EMC	EMI (Conducted & Radiated Emission)	EN 55032 class B								
	EMS (Noise Immunity)	EN 55024								

NOTE

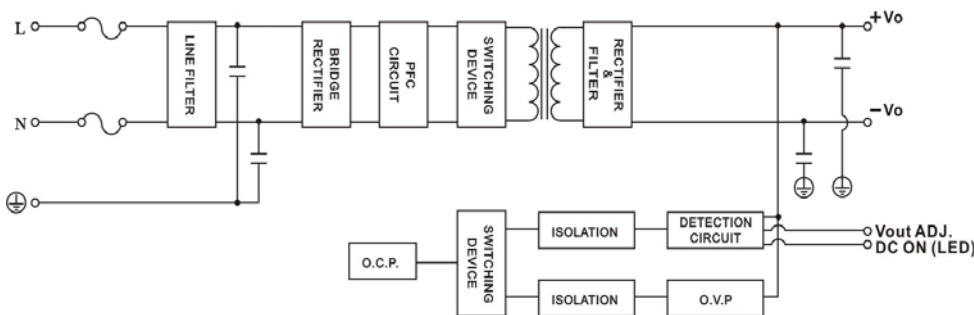
1. Ripple & Noise are measured at 20MHz of bandwidth with 0.1uF & 47uF parallel capacitor.
2. Strongly recommend to conduct this test with DC Voltage. If customer wishes to test with AC Voltage, please disconnect all Y-Capacitors from Arch power supply.
3. Derating may be needed under low input voltages. Please check the derating curve for more details.
4. **CAUTION: Double pole, neutral fusing. Disconnect mains before servicing.**
(ATTENTION : 2 poles avec fusible sur le neutre. Deconnecter le secteur avant intervention.)

DERATING



BLOCK DIAGRAM

Single Output

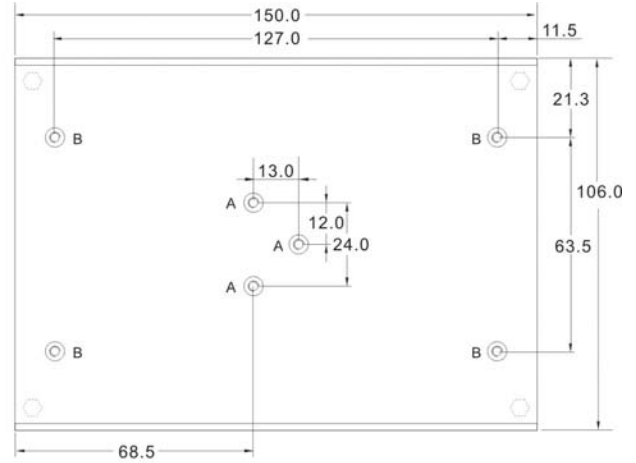
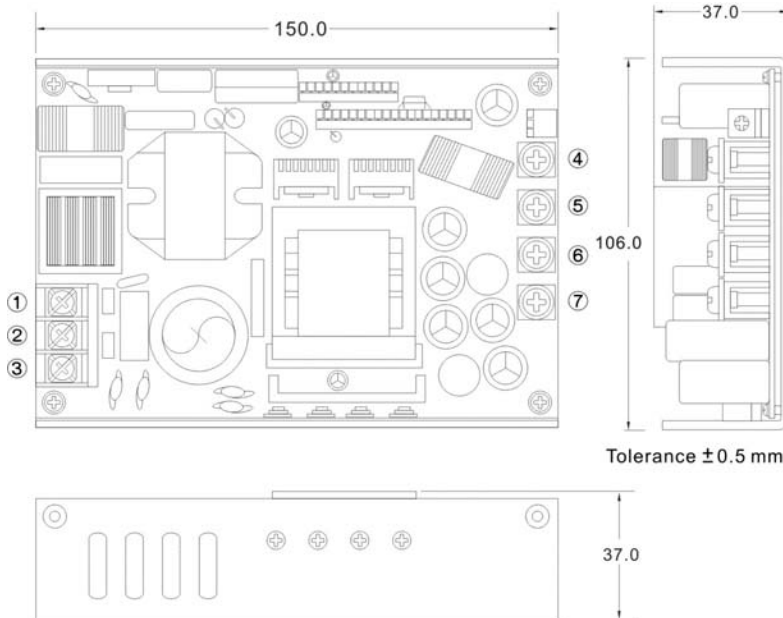


AQF240U SERIES

240 Watts

MECHANICAL DIMENSIONS (Top View)

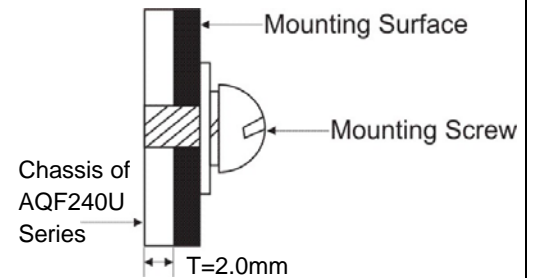
Standard (5S)



A= For fixture to chassis only
A=M3x0.5P
B=For fixture to pcb/chassis only
B=M3x0.5P
Torque:3±0.5 Kgf.cm

ASSEMBLY INSTRUCTIONS

*U Case T=2.0mm
Customer is advised to screw into the threads no more than 2.0mm



Brands		Terminal
PIN#	Single	
1	AC IN (L)	ANYTEK DG28S-B-03P
2	AC IN (N)	
3	FG	
4-5	+DC OUT	M5 Pan HD screw in 2 positions Torque to 8 lbs-in(90 cNm) max.
6-7	-DC OUT	

Standard (5S)



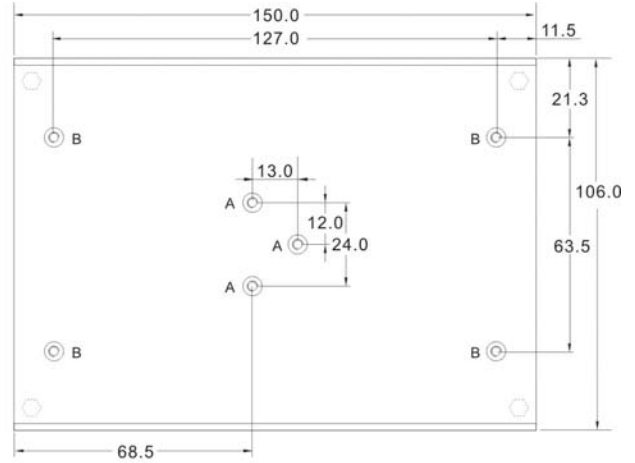
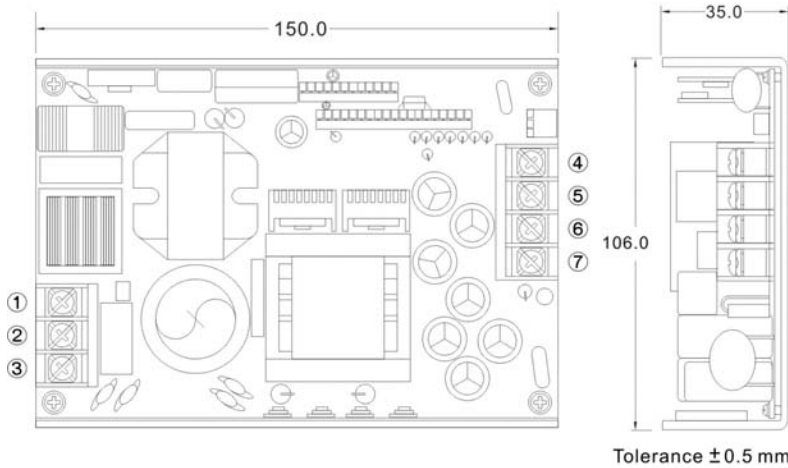
Please refer to the types of terminal block; the pictures shown are for illustration purpose only, actual product may vary.

AQF240U SERIES

240 Watts

MECHANICAL DIMENSIONS (Top View)

Standard (5S N/A)



A= For fixture to chassis only

A=M3x0.5P

B=For fixture to pcb/chassis only

B=M3x0.5P

Torque:3±0.5 Kgf.cm

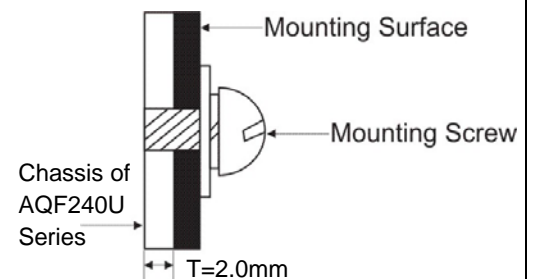


Brands		Terminal
PIN#	Single	
1	AC IN (L)	ANYTEK DG28S-B-03P
2	AC IN (N)	
3	FG	
4-5	+DC OUT	ANYTEK DG28S-B-04P
6-7	-DC OUT	

ASSEMBLY INSTRUCTIONS

*U Case T=2.0mm

Customer is advised to screw into the threads no more than 2.0mm



Standard (5S N/A)



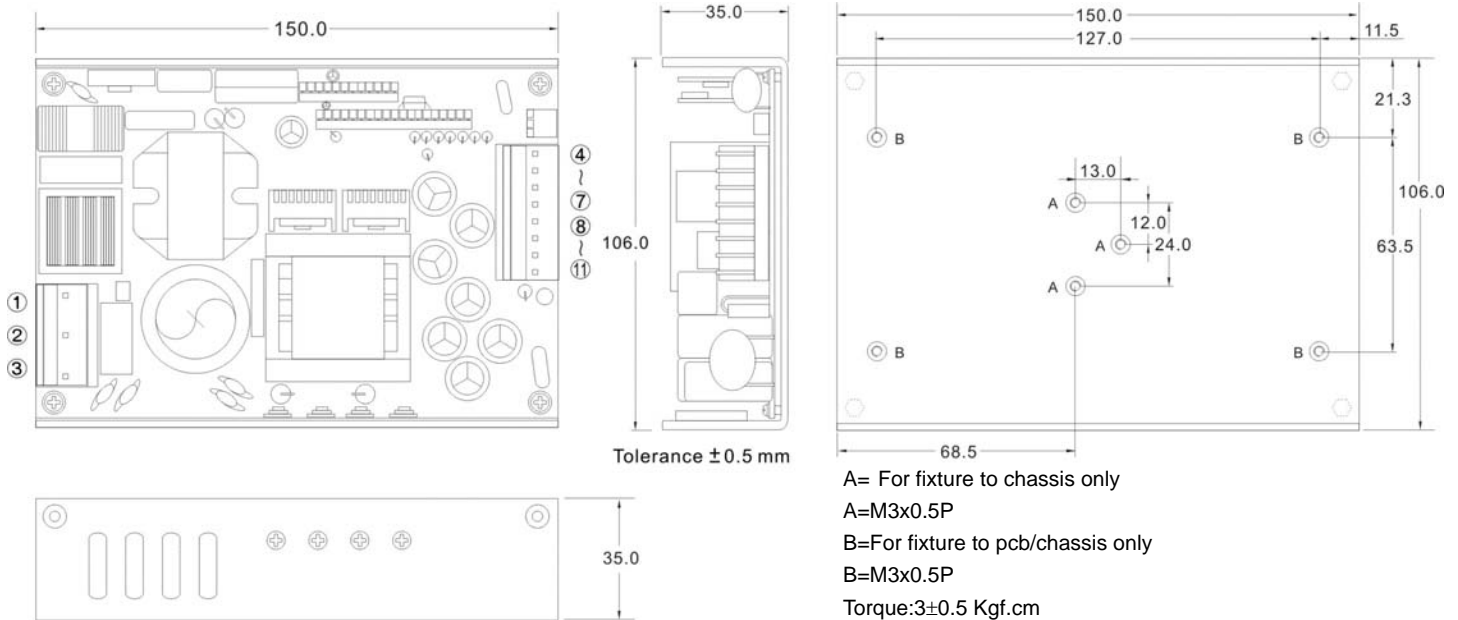
Please refer to the types of terminal block; the pictures shown are for illustration purpose only, actual product may vary.

AQF240U SERIES

240 Watts

MECHANICAL DIMENSIONS (Top View)

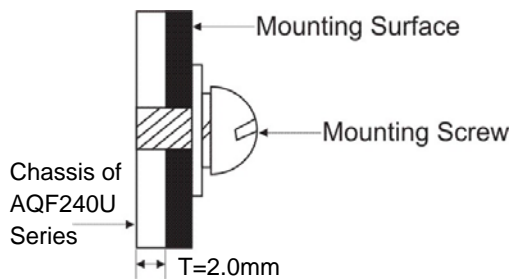
A Type (5S N/A)



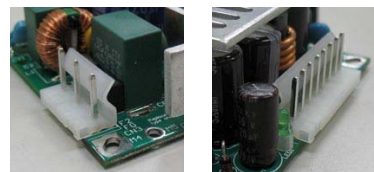
ASSEMBLY INSTRUCTIONS

*U Case T=2.0mm

Customer is advised to screw into the threads no more than 2.0mm



A Type (5S N/A)



Please refer to the types of terminal block; the pictures shown are for illustration purpose only, actual product may vary.

Brands		Alex		Molex	
PIN#	Single	Mating Housing	Terminal	Mating Housing	Terminal
1	AC IN (L)	8639-05N2 8095-05N2	23T or 24T series 94T or 95T series	5195-05	5194T
2	AC IN (N)				
3	FG				
4~7	+DC OUT	8639-08N2 8095-08N2	23T or 24T series 94T or 95T series	5195-08	5194T
8~11	-DC OUT				