

Reg. Nr. 12666

JM25X Series

16W - 27W Encapsulated AC-DC Modules

Features

- Universal Input 90~264VAC
- Efficiency up to 85%
- 3kVac Isolation
- Meets EN55022 / 24 Class B and UL/IEC60950-1
- Internal Input Filter
- Continuous Short Circuit Protection
- Fully Encapsulated Plastic Case
- Designed for Class I



MODEL	Output Voltage	Max. Load	Ripple & Noise	Voltage Accuracy	Line Reg.	Load Reg.	% EFF. (Typ.)
JM25X-3V3S	3.3V	5.00A	150mV	±3%	±1%	±2%	74%
JM25X-05S	5V	4.00A	150mV	±3%	±1%	±2%	75%
JM25X-06S	6V	4.00A	150mV	±3%	±1%	±2%	78%
JM25X-07S	7V	3.00A	150mV	±3%	±1%	±2%	78%
JM25X-08S	8V	3.00A	150mV	±3%	±1%	±2%	78%
JM25X-09S	9V	2.50A	150mV	±3%	±1%	±2%	78%
JM25X-10S	10V	2.50A	150mV	±2%	±1%	±2%	78%
JM25X-12S	12V	2.10A	150mV	±2%	±1%	±2%	80%
JM25X-13S	13V	2.00A	150mV	±2%	±1%	±2%	80%
JM25X-14S	14V	1.85A	150mV	±2%	±1%	±2%	80%
JM25X-15S	15V	1.75A	200mV	±2%	±1%	±2%	82%
JM25X-16S	16V	1.62A	200mV	±2%	±1%	±2%	82%
JM25X-18S	18V	1.45A	200mV	±2%	±1%	±2%	82%
JM25X-24S	24V	1.10A	240mV	±2%	±1%	±2%	85%
JM25X-27S	27V	1.00A	240mV	±2%	±1%	±2%	85%
JM25X-36S	36V	0.75A	240mV	±2%	±1%	±2%	85%
JM25X-48S	48V	0.56A	240mV	±2%	±1%	±2%	85%

MODEL	Output Voltage	Max. Load	Ripple & Noise	Voltage Accuracy	Line Reg.	Load Reg.	% EFF. (Typ.)
JM25X-05D	±5.0V	±2.5A	150mV	±3%	±1%	±5%	75%
JM25X-12D	±12V	±1.0A	150mV	±3%	±1%	±5%	78%
JM25X-15D	±15V	±0.8A	150mV	±3%	±1%	±5%	80%
JM25X-24D	±24V	±0.5A	150mV	±3%	±1%	±5%	80%
JM25X-0305D	+3.3V +5.0V	+2.5A +1.0A	150mV 240mV	±5%	±1%	±5%	76%
JM25X-0512D	+5.0V +12V	+2.4A +1.0A	150mV 240mV	±5%	±1%	±5%	76%
JM25X-0515D	+5.0V +15V	+2.4A +0.8A	150mV 240mV	±5%	±1%	±5%	76%
JM25X-0524D	+5.0V +24V	+2.4A +0.5A	150mV 240mV	±5%	±1%	±5%	78%

Ordering

JM25X-xxS	Single
JM25X-xxD	Dual
JM25X-xxxxD	2 positive voltages

Specifications

Typical at 25°C, nominal line and 75% load, unless otherwise specified

Input Specifications:

Input Voltage	AC in	90~264Vac
	DC in	120~370Vdc
Frequency		47 to 63Hz
Inrush Current		20A max. @240Vac cold start
		12A max. @120Vac cold start

Output Specifications:

Total Rated Output Power	14W~25W
Minimum load	single 0%
	dual 20%/each
Line regulation	1%
Load regulation	3/2/5%
Transient recovery timeVi nom, I nom -> 0.5 Inom 1000us
Ripple & noise	see model table
Over load protection	110%
Overload protection type	Recover automatically
Short circuit protection type	Recover automatically
Over Voltage on output	120 – 150% of Vo
Over voltage protection type	Zener diode clamp

General Specifications:

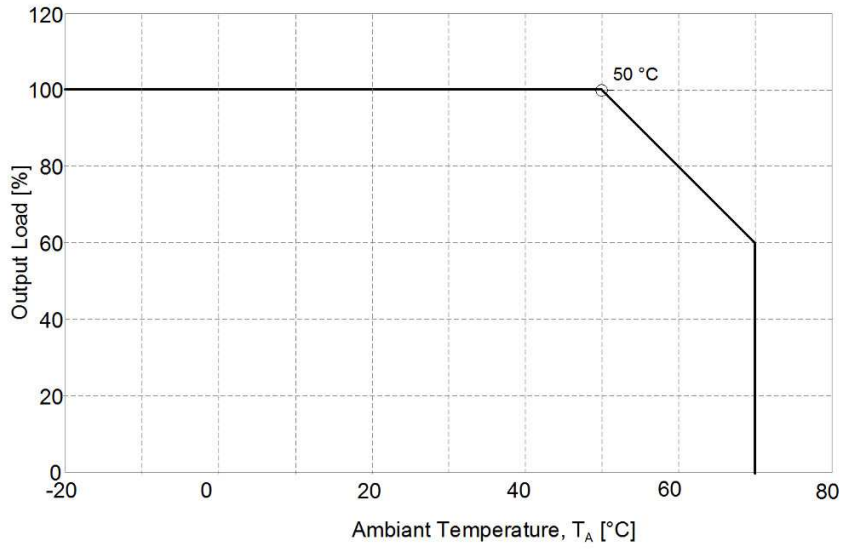
Switching Frequency	65kHz Typical
Isolation	Input to output 3'000Vac
Isolation resistance	100MΩ
Operating Temperature	-20°C ~ 70°C (see Derating Curve)
Derating	+51°C to +70°C -2%/°C
Max. case temperature	+85°C
Storage Temperature	-40°C ~ 85°C
Humidity	95% RH max. Non condensing
Cooling	Natural Convection
Dimensions	3. 0x2.0 x1.0 inches (76.2x50.8x25.4mm)
Case material	UL 94V-0
Weight	tdb

NOTE:

- To measure Rippel & Noise connect a 47uF electrolytic capacitor paralleled with a 0.47 ceramic capacitor across the output. BW = 20MHz.
- The units could be manufactured with a lower power limit. Please contact factory.

JM25X Series Derating Curve

Output Power vs Ambient Temperature @ Natural Convection:

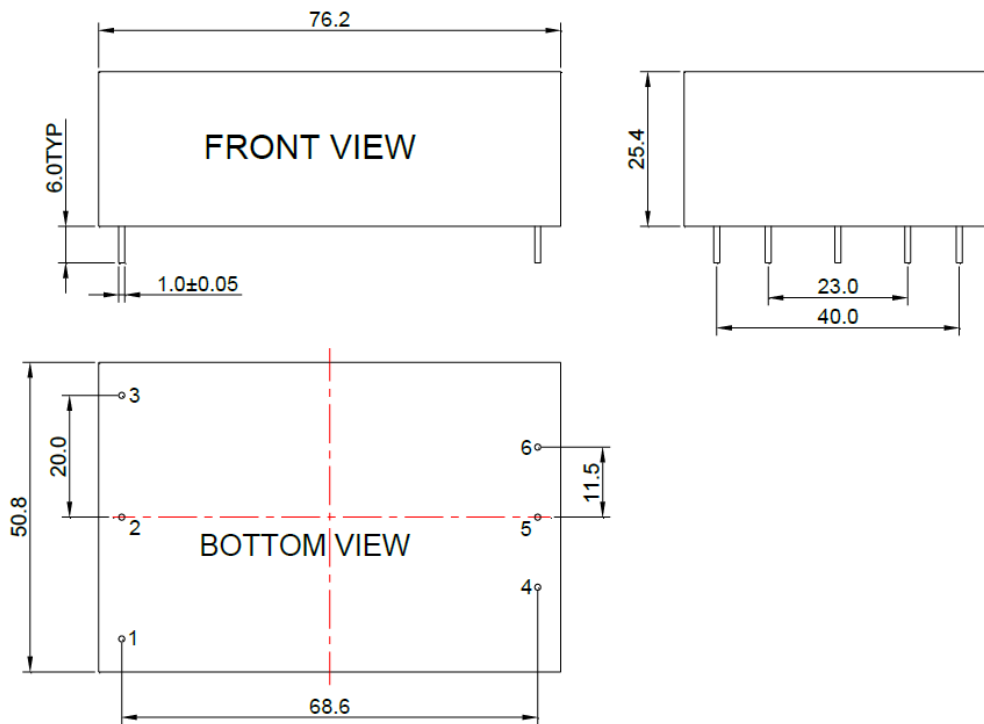


JM25X Series Dimensions

Normal tolerance ± 0.5 mm,

NP = No pin, NC = Not connected, NA = Not available for electrical contact, do not connect

Dimensions



Pinning

	JM25X-xxS
1	FG
2	ACN
3	ACL
4	-Vout
5	NP
6	+Vout

Notice: All statements, technical information, and recommendations related to FABRIMEX's products are based on information believed to be reliable, but the accuracy or completeness thereof is not guaranteed. Before utilizing the product, the user should determine the suitability of the product for its intended use. Specifications can be changed any time without notice.

