



ISO 9001:2000
REGISTERED

GTM21089 SERIES-19W



0-19 Watts, DeskTop Universal Input, Single Output Family, Medical Class I & II

Part Number Ordering System (See Page 224)
Output Plug/Cord Options (See Page 189)



ELECTRICAL SPECIFICATIONS:

INPUT VOLTAGE:
90 VAC TO 264 VAC

INPUT CURRENT:
< 0.5 A RMS AT 90 VAC INPUT

INPUT FREQUENCY:
47 HZ - 63 HZ

OUTPUT CURRENT:
NO LOAD TO FULL LOAD, NO MINIMUM LOAD REQUIRED

OUTPUT POWER (RATED):
19 WATTS MAX

OUTPUT RIPPLE (PEAK TO PEAK):
≤ 1% TYP

OUTPUT REGULATION (LINE/LOAD):
± 5% FOR MAIN OUTPUT, MEASURED AT O/P CONNECTOR

LINE REGULATION:
± 1% MAX AT FULL LOAD

TURN ON/ TURN OFF OVERSHOOT:
5% MAX 500µS MAX RECOVERY TIME FOR 25% STEP LOAD

TURN-ON DELAY:
1 SEC TYPICAL

HOLD-UP TIME:
10 mSEC MIN AT NOMINAL INPUT AND FULL LOAD

INRUSH CURRENT:
30 A TYPICAL AT COLD START FOR N.A. (40A FOR EURO)

EFFICIENCY:
75 % TYPICAL

SWITCHING FREQUENCY:
100 KHZ TYPICAL

OVER-VOLTAGE PROTECTION:
VOLTAGE LIMITED LESS 130% OF NOMINAL VOLTAGE

OVER-CURRENT / SHORT CIRCUIT:
HICCUP WITH AUTO RECOVERY TO 1.1 - 1.3 I_O

OTHER PROTECTION:
INPUT LINE AND NEUTRAL FUSING

SAFETY APPROVALS:
MEDICAL MODELS:
UL 60601-1, CUL TO 22.2 NO. 601, TUV EN60601, AND cTUVus TO UL 60601 FOR CLASS I AND CLASS II;
CE FOR EMC, PSE TO J60950, PSE TO J60950

DIELECTRIC WITHSTAND VOLTAGE:
5656 VDC (4000 VAC) PRIMARY-SECONDARY
2121 VDC (1500 VAC) PRIMARY- GROUND

LEAKAGE CURRENT:
< 300µA at 264Vac INPUT VOLTAGE

LINE SURGE:
EN 61000-4-5 LEVEL 4

EMI:
COMPLIES WITH EN55022 AND EN55011, CLASS B AND FCC PART 15 CLASS B WHEN TESTED WITH A RESISTIVE LOAD, BOTH CONDUCTED AND RADIATED

CE MARK:
EN55011, Group 1, Class B, EN5022 Class B, EN55011, Group 1, Class B; EN55024 / EN60601-1-2 / IEC 61000-4-3:2002; EN55024 / EN60601-1-2 / IEC 61000-4-6:2001; EN55024 / EN60601-1-2 / IEC 61000-4-8:2001; EN55024 / EN60601-1-2 / IEC 61000-4-11:2001; EN55024 / EN60601-1-2 / IEC 61000-4-4:2001; EN55024 / EN60601-1-2 / IEC 61000-4-2:2001; EN55024 / EN60601-1-2 / IEC 61000-4-5:2001; EN55024 / EN 61000-3-3 A1: 2001 / EN 61000-3-3 A1: 2001; EN55024 / EN 61000-3-2:2001 / EN 61000-3-2:2001. UNIT IS ELIGIBLE FOR CE MARK.

MTBF:
GREATER THAN 50,000 HOURS AT 25°C AMBIENT TEMPERATURE, AND NOMINAL LINE AT FULL LOAD PER MIL-217.

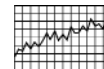
OPERATING TEMPERATURE:
0° C TO 40° C

STORAGE TEMPERATURE:
-40° C TO 80° C

HUMIDITY:
0% TO 90% RELATIVE HUMIDITY

MODEL NUMBER CODE:
GT-2: INTERNAL CODE;
M: MEDICAL MODEL
1089: FAMILY DESIGNATION;
1003 TO 1948: POWER/INPUT VOLTAGE;
T: DESKTOP;
3: CLASS II WITH FUNCTIONAL EARTH (3 PRONGS)
2: CLASS II, DOUBLE INSULATED;

- NOTES:**
- EACH OUTPUT CURRENT MAY VARY WITHIN IT'S DESIGNATION RANGE, AS LONG AS OUTPUT POWER IS NOT EXCEEDED.
 - OUTPUTS ARE AVAILABLE FROM 3.3V-48V IN 0.1V INCREMENTS
 - (X.X) OPTIONAL FOR SPECIFYING OUTPUT VOLTAGE DEVIATION FROM STANDARD MODEL: SUBTRACTING X.X VOLTS FROM STANDARD OUTPUT VOLTAGE.



SEE APPENDIX "C" FOR ELECTRICAL PERFORMANCE CURVES

OUTPUT VOLTAGE / CURRENT: CLASS I MODELS, PROTECTIVE GROUND

MODEL NUMBER	OUTPUT VOLTAGE (VDC)	OUTPUT CURRENT (A)	RATED OUTPUT POWER (W)
GTM21089-1003-T3	+3.3	0 - 2.6	0-9
GTM21089-1305-1.0-T3	+4.0	0 - 2.6	0-10
GTM21089-1305-X.X-T3	+5.0	0 - 2.6	0-13
GTM21089-1506-X.X-T3	+6.0	0 - 2.5	0-15
GTM21089-1509-2.0-T3	+7.0	0 - 2.0	0-15
GTM21089-1509-1.0-T3	+8.0	0 - 1.8	0-15
GTM21089-1509-X.X-T3	+9.0	0 - 1.7	0-15
GTM21089-1512-2.0-T3	+10.0	0 - 1.5	0-15
GTM21089-1512-1.0-T3	+11.0	0 - 1.3	0-15



Exista AG
Udermüllistrasse 16
CH-8320 Fehraltorf
Schweiz
Tel: +043-204 01 01
Fax: +043-204 01 02
sales@exista.ch

SPECIFICATIONS MAY CHANGE WITHOUT PRIOR NOTICE. CONSULT CUSTOMER SERVICE FOR LATEST SPECIFICATIONS.

ISO 9001:2000
REGISTERED**0-19 Watts, DeskTop Universal Input, Single Output
Family, Medical Class I & II**Part Number Ordering System (See Page 224)
Output Plug/Cord Options (See Page 189)

INDOOR USE ONLY

**OUTPUT VOLTAGE / CURRENT:
CLASS I MODELS, FUNCTIONAL GROUND**

MODEL NUMBER	OUTPUT VOLTAGE (VDC)	OUTPUT CURRENT (A)	RATED OUTPUT POWER (W)
GTM21089-1512-X.X-T3	+12.0	0 - 1.25	0-15
GTM21089-1815-2.0-T3	+13.0	0 - 1.15	0-15
GTM21089-1815-1.2-T3	+13.8	0 - 1.09	0-15
GTM21089-1815-1.0-T3	+14.0	0 - 1.07	0-15
GTM21089-1815-X.X-T3	+15.0	0 - 1.2	0-18
GTM21089-1818-2.0-T3	+16.0	0 - 1.2	0-18
GTM21089-1818-1.0-T3	+17.0	0 - 1.0	0-18
GTM21089-1818-X.X-T3	+18.0	0 - 1.0	0-18
GTM21089-1824-5.0-T3	+19.0	0 - 0.95	0-18
GTM21089-1824-4.0-T3	+20.0	0 - 0.90	0-18
GTM21089-1824-X.X-T3	+24.0	0 - .75	0-18
GTM21089-1948-20.4-T3 (TUV/NRTL REPLACES UL/NRTL)	+27.6	0 - 0.65	0-18
GTM21089-1940-18.0-T3 (TUV/NRTL REPLACES UL/NRTL)	+30.0	0 - 0.6	0-18
GTM21089-1948-12.0-T3 (TUV/NRTL REPLACES UL/NRTL)	+36.0	0 - 0.5	0-19
GTM21089-1948-X.X-T3 (TUV/NRTL REPLACES UL/NRTL)	+48.0	0 - 0.4	0-19

**OUTPUT VOLTAGE / CURRENT:
CLASS II MODELS, DOUBLE INSULATED**

GTM21089-1003-T2	+3.3	0 - 2.6	0-9
GTM21089-1505-1.0-T2	+4.0	0 - 2.6	0-9
GTM21089-1505-X.X-T2	+5.0	0 - 2.6	0-13
GTM21089-1506-X.X-T2	+6.0	0 - 2.5	0-15
GTM21089-1509-2.0-T2	+7.0	0 - 2.0	0-15
GTM21089-1509-1.0-T2	+8.0	0 - 1.8	0-15
GTM21089-1509-X.X-T2	+9.0	0 - 1.7	0-15
GTM21089-1512-2.0-T2	+10.0	0 - 1.5	0-15
GTM21089-1512-1.0-T2	+11.0	0 - 1.3	0-15
GTM21089-1512-X.X-T2	+12.0	0 - 1.25	0-15
GTM21089-1815-3.0-T2	+13.0	0 - 1.15	0-15
GTM21089-1815-2.0-T3	+13.8	0 - 1.09	0-15
GTM21089-1815-1.0-T2	+14.0	0 - 1.07	0-15
GTM21089-1815-X.X-T2	+15.0	0 - 1.2	0-18
GTM21089-1818-2.0-T2	+16.0	0 - 1.2	0-18
GTM21089-1818-1.0-T2	+17.0	0 - 1.0	0-18
GTM21089-1818-X.X-T2	+18.0	0 - 1.0	0-18
GTM21089-1824-5.0-T2	+19.0	0 - 0.95	0-18
GTM21089-1824-4.0-T2	+20.0	0 - 0.90	0-18
GTM21089-1824-X.X-T2	+24.0	0 - .75	0-18
GTM21089-1948-20.4-T3 (TUV/NRTL REPLACES UL/NRTL)	+27.6	0 - 0.65	0-18
GTM21089-1940-18.0-T2 (TUV/NRTL REPLACES UL/NRTL)	+30.0	0 - 0.6	0-18
GTM21089-1948-12.0-T2 (TUV/NRTL REPLACES UL/NRTL)	+36.0	0 - 0.5	0-19
GTM21089-1948-X.X-T2 (TUV/NRTL REPLACES UL/NRTL)	+48.0	0 - 0.4	0-19

SPECIFICATIONS MAY CHANGE WITHOUT PRIOR NOTICE. CONSULT CUSTOMER SERVICE FOR RECENT SPECIFICATIONS.



Exista AG
 Udermülistrasse 16
 CH-8320 Fehraltorf
 Schweiz
 Tel: +043-204 01 01
 Fax: +043-204 01 02
 sales@exista.ch



ISO 9001:2000
REGISTERED



**0-19 Watts, DeskTop Universal Input, Single Output
Family, Medical Class I & II**


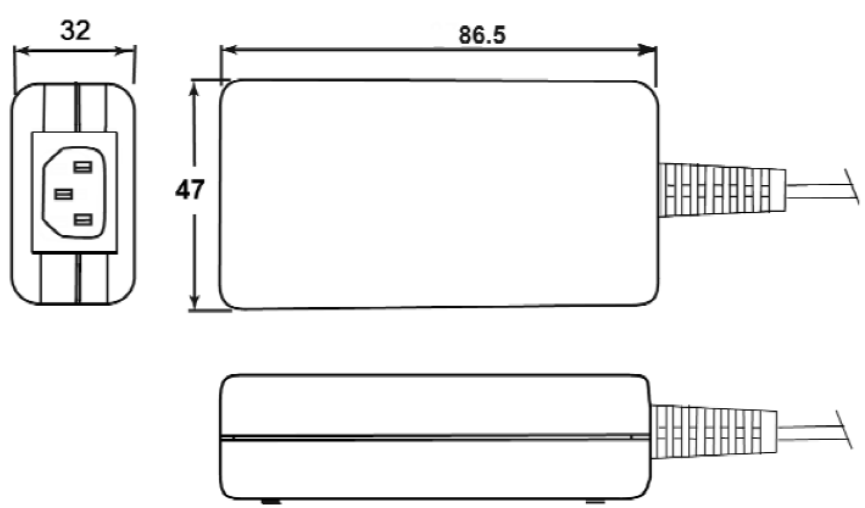


Part Number Ordering System (See Page 224)
Output Plug/Cord Options (See Page 189)



ENCLOSURES


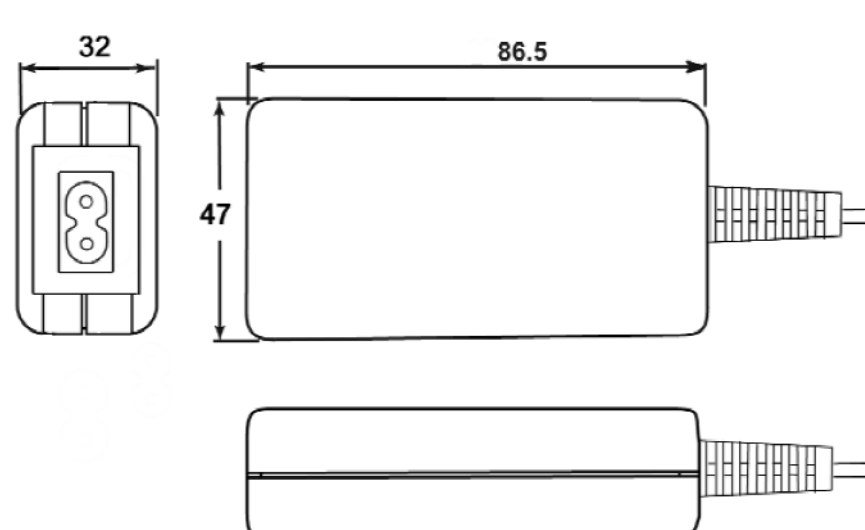
HOUSING: HIGH IMPACT PLASTIC, 94V0 POLYCARBONATE, NON-VENTED, COLOR BLACK

DESKTOP CLASS I: T3

SIZE:
86.5 x 47 x 32 ± 0.5 mm

INPUT CONNECTOR:
CONFIGURATION:
CLASS I FE MODEL IEC60320 / C14, AC
POWER RECEPTACLE WITH
3 MALE PINS.

DESKTOP CLASS II: T2

SIZE:
86.5 x 47 x 32 ± 0.5 mm

INPUT CONNECTOR:
CONFIGURATION: CLASS II FE MODEL
IEC60320 / C8, AC POWER RECEPTACLE
(NON-POLARIZED, SHAVER STYLE)
WITH 2 MALE PINS.



Exista AG
Undermüllstrasse 16
CH-8320 Fehraltorf
Schweiz
Tel: +043-204 01 01
Fax: +043-204 01 02
sales@exista.ch

SPECIFICATIONS MAY CHANGE WITHOUT PRIOR NOTICE. CONSULT CUSTOMER SERVICE FOR LATEST SPECIFICATIONS.