



MSC SERIES

40 Watts

KEY FEATURES

- Switching Power Modules for PCB Mounting
- Fully Encapsulated Plastic Case
- Universal Input Range 90-264VAC, 47-440 Hz
- Regulated Output
- Low Ripple and Noise
- High Efficiency
- CE, CB, UL, cUL, TUV Approvals
- 2-Years Product Warranty



ELECTRICAL SPECIFICATIONS

Model No. (Single Output)	MSC-3.3S	MSC-5S	MSC-9S	MSC-12S	MSC-15S	MSC-24S	
Max output wattage (W)	26.4W	40W	40W	40W	40W	40W	
Output	Voltage (V.DC.)	3.3V	5V	9V	12V	15V	24V
	Current (mA) max	8000	8000	4444	3333	2666	1667
	Voltage set accuracy	±2%	±2%	±2%	±2%	±2%	±2%
	Line regulation (Typ.)	0.5%	0.5%	0.5%	0.5%	0.5%	0.5%
	Load regulation (1-100%) (Typ.)	1%	1%	1%	1%	1%	1%
	Minimum load	1%	1%	1%	1%	1%	1%
	Efficiency (Typ)	75%	79%	82%	83%	83%	83%

Model No. (Dual Output)	MSC-5D		MSC-12D		MSC-15D		
Max output wattage (W)	40W		40W		40W		
Output	Output 1	Output 2	Output 1	Output 2	Output 1	Output 2	
	Voltage (V.DC.)	+5V	-5V	+12V	-12V	+15V	-15V
	Current (mA) max	4000	4000	1666	1666	1333	1333
	Voltage set accuracy	±2%		±2%		±2%	
	Line regulation (Typ.)	0.5%		0.5%		0.5%	
	Load regulation (10-100%) (Typ.)	1% (symmetric load)		1% (symmetric load)		1% (symmetric load)	
	Cross regulation (Typ.)	5%		5%		5%	
	Minimum load	10%		10%		10%	
	Efficiency (Typ)	79%		83%		83%	

Model No. (Dual Output)	MSC-5S12S		MSC-5S24S		
Max output wattage (W)	40W		40W		
Output	Output 1	Output 2	Output 1	Output 2	
	Voltage (V.DC.)	5V	12V	5V	24V
	Current (mA) max	5000	1250	5000	625
	Voltage set accuracy	±3%	±5%	±3%	±5%
	Line regulation (Typ.)	0.5%	5%	0.5%	5%
	Load regulation (10-100%) (Typ.)	2% (symmetric load)	6% (symmetric load)	2% (symmetric load)	6% (symmetric load)
	Cross regulation (Typ.)	1%	7%	1%	7%
	Minimum load	25%		25%	
	Efficiency (Typ)	80%		80%	



MSC SERIES

40 Watts

Model No. (Triple Output)	MSC-5S12D			MSC-5S15D		
Max output wattage (W)	40W			40W		
Output	Output 2	Output 3	Output 1	Output 2	Output 3	
	Voltage (V.DC.)	+12	-12	5	+15	-15
	Current (mA) max	600	600	5000	500	500
	Voltage set accuracy	±5%		±3%	±5%	
	Line regulation (Typ.)	5%		0.5%	5%	
	Load regulation (25-100%) (Typ.) (symmetric load)	7%		3%	7%	
	Cross regulation (Typ.)	7%		3%	7%	
	Minimum load	25%			25%	
	Efficiency (Typ)	80%			80%	

Input	Voltage	90-264 VAC or 100-375 VDC	
	Frequency (Hz)	47-440 Hz	
	Current (Full load)	860 mA max. (115 VAC) / 460 mA max. (230 VAC)	
	Inrush current (<2ms)	10 A max. (115 VAC) / 20 A max. (230 VAC)	
	Leakage Current	0.1 mA max. (115 VAC) / 0.2 mA max. (230 VAC)	
	External fuse (recommend)	3.15 A slow blow type	
Output	Maximum capacitive load	470-23,000µF depending on model	
	Ripple & Noise	3.3V : 50mV of Vout	5V~24V : 1% of Vout
	Hold-up time	18 ms min.	
	Switching frequency	132 kHz	
Protection	Over current protection	Above 105% rated output power	
	Over voltage protection	Zener diode clamp	
	Short circuit protection	Hiccup mode, indefinite (automatic recovery)	
	OTP	100°C	
Isolation	Input-Output (V.AC)	4000V	
Environment	Operating temperature	-25°C...+70°C (Case Temperature max. +95°C)	
	Storage temperature	-40°C...+100°C	
	Temperature coefficient	0.01%/°C	
	Humidity	95% RH	
	MTBF	200,000 h~400,000 h @ 25°C	
Physical	Dimension (L x W x H)	3.5 x 2.5 x 1.06 Inches (89.0 x 63.5 x 27.0 mm) Tolerance ±0.5 mm	
	Case Material	Plastic resin + Fiberglass (flammability to UL 94V-0)	
	Weight	280 g	
	Cooling method	Free air convection	
Safety & EMC	Class II approval	To IEC / EN 60536	
	EMI / PFI conducted	cUL / UL / CB	
	EMC Standards	EN 55011 class B	
	ESD Susceptibility	EN60601-1-2	
	Radiated Susceptibility	EN60601-1-2	
	EFT / Burst	EN60601-1-2	
	Surge	EN60601-1-2	
	Conducted Susceptibility	EN60601-1-2	
	Safety Approvals	EN60601-1	

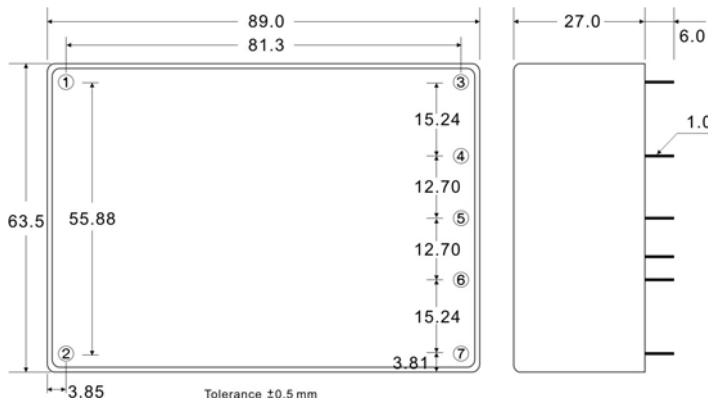
All specifications valid at nominal input voltage, full load and +25°C after warm-up time unless otherwise stated.



MSC SERIES

40 Watts

MECHANICAL DIMENSION (Top View)

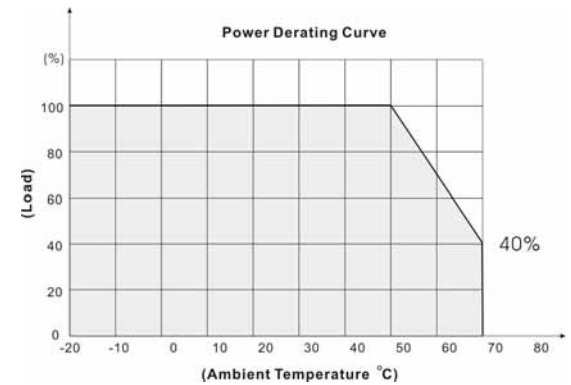
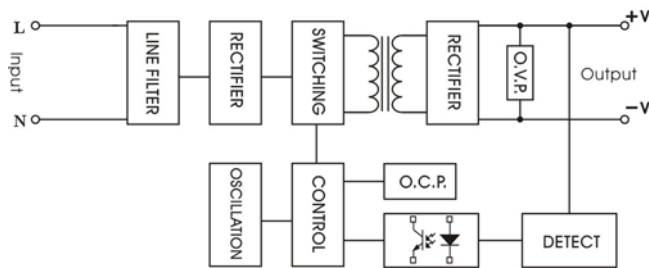


PIN#	SINGLE	Dual	5S/12S 5S/24S	Triple
1	AC IN (L)	AC IN (L)	AC IN (L)	AC IN (L)
2	AC IN (N)	AC IN (N)	AC IN (N)	AC IN (N)
3	+DC OUT	+DC OUT	+OUT2	+DC OUT
4	NO PIN	NO PIN	+OUT1	+5V
5	-DC OUT	COMMON	+OUT2 RTN	COMMON
6	NO PIN	NO PIN	+OUT1 RTN	+5 RTN
7	NOCONNECT	-DC OUT	NO PIN	-DC OUT

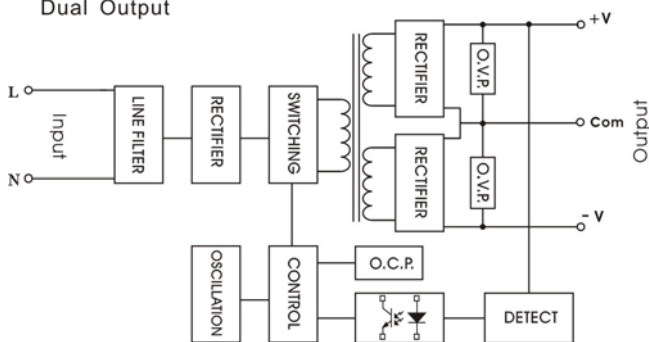
BLOCK DIAGRAM

DERATING

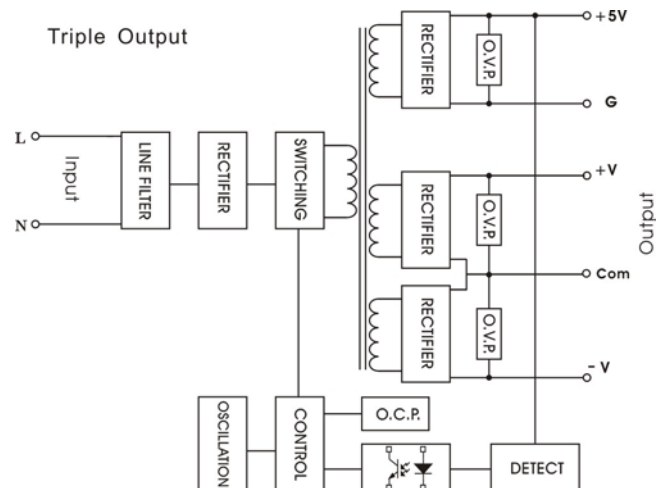
Single Output



Dual Output



Triple Output



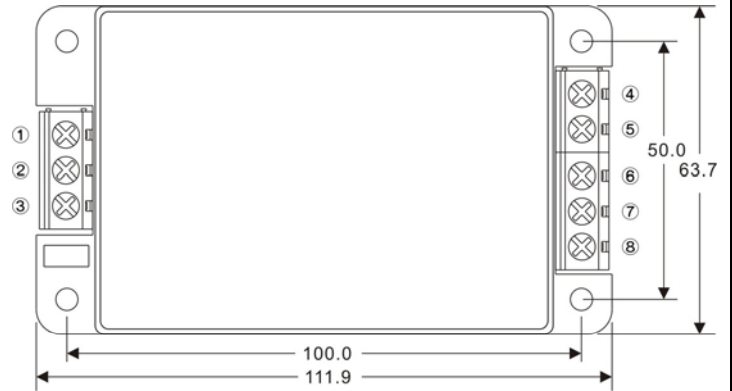


MSC SERIES

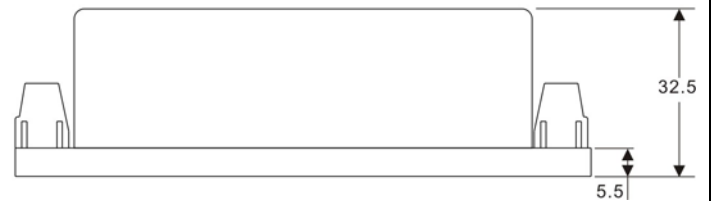
40 Watts

SCREW TERMINAL

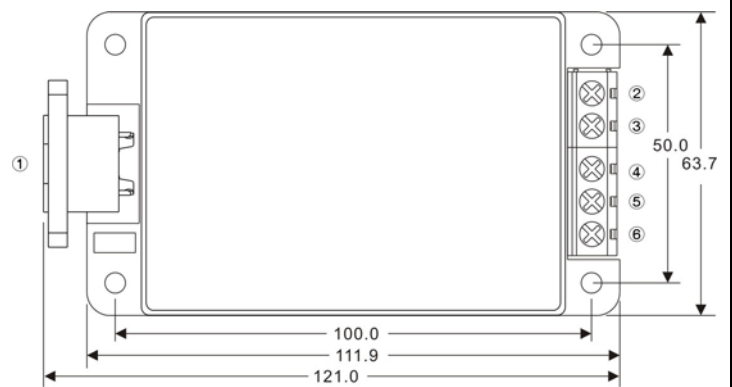
MSC-A2



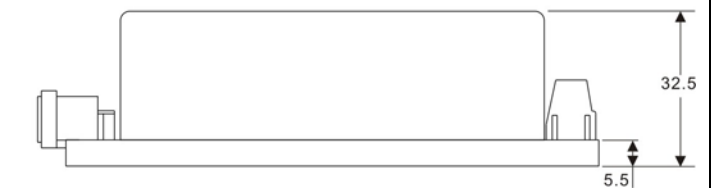
PIN#	Single	Dual	5S/12S 5S/24S	Triple
1	NOCONNECT	NOCONNECT	NOCONNECT	NOCONNECT
2	AC IN (L)	AC IN (L)	AC IN (L)	AC IN (L)
3	AC IN (N)	AC IN (N)	AC IN (N)	AC IN (N)
4	+DC OUT	+DC OUT	+OUT2	+DC OUT
5	NOCONNECT	NOCONNECT	+OUT1	+5V OUT
6	-DC OUT	COMMON	+OUT2 RTN	COMMON
7	NOCONNECT	NOCONNECT	+OUT1 RTN	+5V RTN
8	NOCONNECT	-DC OUT	NOCONNECT	-DC OUT



MSC-A3



PIN#	Single	Dual	5S/12S 5S/24S	Triple
1	AC IN	AC IN	AC IN	AC IN
2	+DC OUT	+DC OUT	+OUT2	+DC OUT
3	NOCONNECT	NOCONNECT	+OUT1	+5V OUT
4	-DC OUT	COMMON	+OUT2 RTN	COMMON
5	NOCONNECT	NOCONNECT	+OUT1 RTN	+5V RTN
6	NOCONNECT	-DC OUT	NOCONNECT	-DC OUT

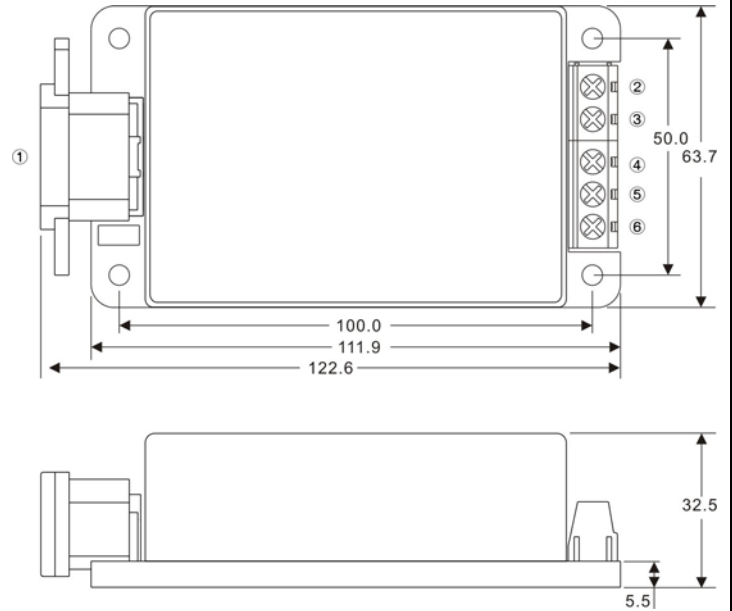




MSC SERIES

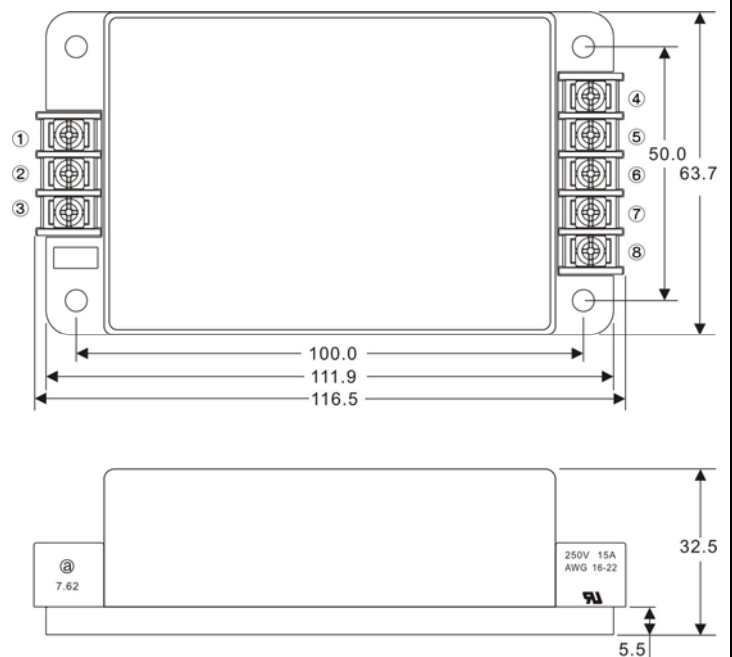
40 Watts

MSC-A4



PIN#	Single	Dual	5S/12S 5S/24S	Triple
1	AC IN	AC IN	AC IN	AC IN
2	+DC OUT	+DC OUT	+OUT2	+DC OUT
3	NOCONNECT	NOCONNECT	+OUT1	+5V OUT
4	-DC OUT	COMMON	+OUT2 RTN	COMMON
5	NOCONNECT	NOCONNECT	+OUT1 RTN	+5V RTN
6	NOCONNECT	-DC OUT	NOCONNECT	-DC OUT

MSC-A5



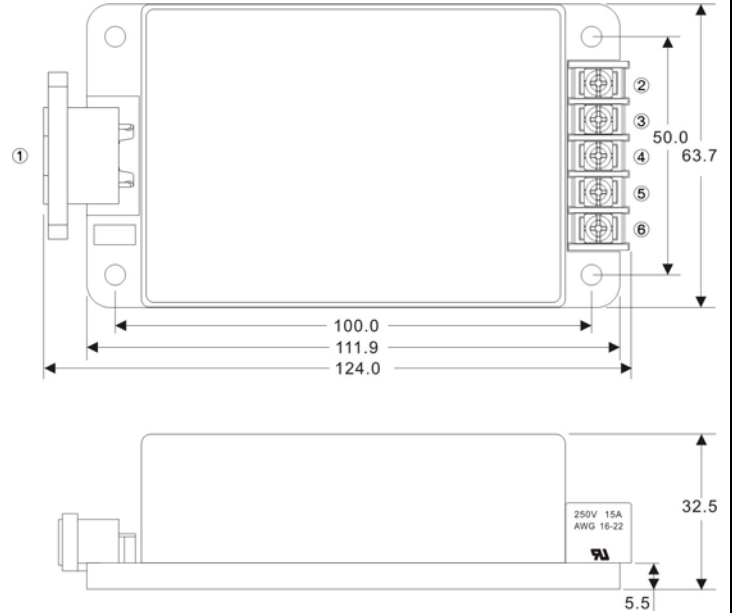
PIN#	Single	Dual	5S/12S 5S/24S	Triple
1	NOCONNECT	NOCONNECT	NOCONNECT	NOCONNECT
2	AC IN (L)	AC IN (L)	AC IN (L)	AC IN (L)
3	AC IN (N)	AC IN (N)	AC IN (N)	AC IN (N)
4	+DC OUT	+DC OUT	+OUT2	+DC OUT
5	NOCONNECT	NOCONNECT	+OUT1	+5V OUT
6	-DC OUT	COMMON	+OUT2 RTN	COMMON
7	NOCONNECT	NOCONNECT	+OUT1 RTN	+5V RTN
8	NOCONNECT	-DC OUT	NOCONNECT	-DC OUT



MSC SERIES

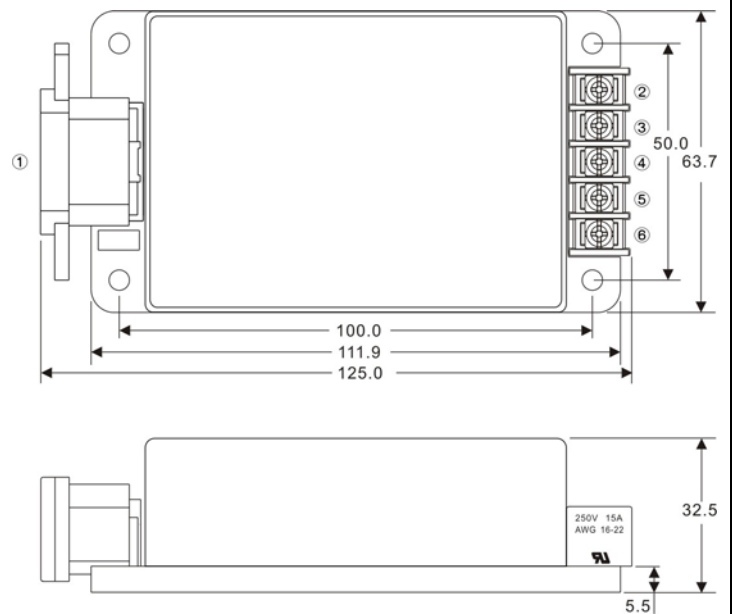
40 Watts

MSC-A6



PIN#	Single	Dual	5S/12S 5S/24S	Triple
1	AC IN	AC IN	AC IN	AC IN
2	+DC OUT	+DC OUT	+OUT2	+DC OUT
3	NOCONNECT	NOCONNECT	+OUT1	+5V OUT
4	-DC OUT	COMMON	+OUT2 RTN	COMMON
5	NOCONNECT	NOCONNECT	+OUT1 RTN	+5V RTN
6	NOCONNECT	-DC OUT	NOCONNECT	-DC OUT

MSC-A7



PIN#	Single	Dual	5S/12S 5S/24S	Triple
1	AC IN	AC IN	AC IN	AC IN
2	+DC OUT	+DC OUT	+OUT2	+DC OUT
3	NOCONNECT	NOCONNECT	+OUT1	+5V OUT
4	-DC OUT	COMMON	+OUT2 RTN	COMMON
5	NOCONNECT	NOCONNECT	+OUT1 RTN	+5V RTN
6	NOCONNECT	-DC OUT	NOCONNECT	-DC OUT